

TT505C

Submersible De-watering Pump

TT PUMPS[®]



The TT505C is a fully submersible, de-watering pump for clean or silty water.

This is a robust and sturdy pump with main components in aluminium alloy thus making the pump ideal for site work in tough conditions.

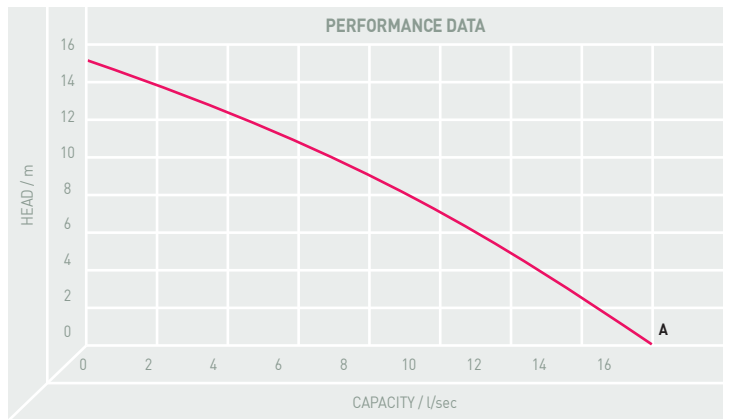
Excellent protection against wear and motor contamination is obtained through a mechanical shaft seal and oil chamber, separating the motor from the pumped liquid, and a rubber coated suction plate.

Features

- Cast aluminium construction
- Submersible
- Double mechanical seal within oil bath
- 10mm solids handling
- 1.25kW output
- 80mm discharge
- Optional extra: A trolley frame is available to suit the T-T505C and is complete with control panel.

Applications

- Large water features
- Nuisance water
- Civil construction
- Quarries and mining
- Hire fleets
- Emergencies
- De-watering



PUMP TYPE	PRODUCT CODE	OUTLET "/mm	CURVE	kW	FREE PASSAGE mm	WEIGHT kg	CABLE LENGTH m
TT505C 110V/1Ph	PE/TT505C/2	3" (80mm)	A	1.25	10	34.0	10
TT505C 230V/1Ph	PE/TT505C/1	3" (80mm)	A	1.25	10	34.0	10
TT505C 400V/3Ph	PE/TT505C/3	3" (80mm)	A	1.25	10	30.0	10

TT505C

MOTORS

Submersion: IP 68

Insulation: Class F

Maximum liquid temp: 40C

Cable: H07RNF x 10 metre

Thermal protection: Thermostats wired for external control

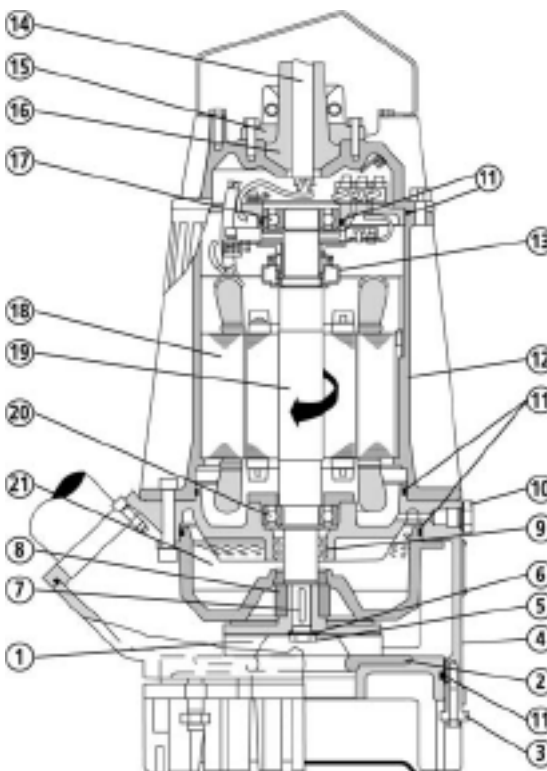
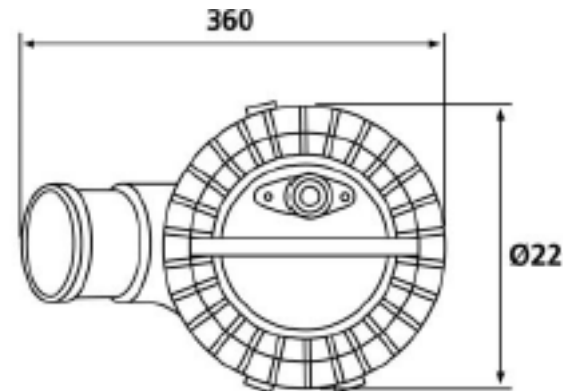
Note: All single 110V & 230V phase pumps come with external capacitor. Control panels can be supplied as an optional extra.

Pump Casing:	Aluminium Alloy
Motor Casing:	Aluminium Alloy
Impeller:	Cast-iron
Mechanical Seal:	Tungsten Carbide
Cable:	Polychloroprene sheath H07 RNF

PUMP TYPE	TT505C		
Power Supply (50Hz)	110V/1Ph	230V/1Ph	400V/3Ph
Rated Power at Pump Shaft	1.25kW	1.25kW	1.25kW
Full Load Current	20.0A	9.6A	2.6A
Start Current, DOL	101.3A	47.0A	14.7A
RPM	2880	2880	2880
Powercable no. of cores x mm ² - DOL Single 7-core cable, 1-core not used	4x1.5 + 2x1.5	4x1.5 + 2x1.5	4x1.5 + 2x1.5
	Thermostat Cable		

Dimensions & Weights

PUMP TYPE	TT505C		
Weight	34kg	34kg	30kg
Impeller Passage	Ø 10mm	Ø 10mm	Ø10mm



Parts/Assembly:

- 1 Impeller
 - 2 Suction Cover
 - 3 Adjusting Screw & Bush
 - 4 Pump Casing
 - 5 Impeller Nut
 - 6 Impeller Washer
 - 7 Impeller Key
 - 8 Mechanical Seal
 - 9 Oil Seals
 - 10 Oil Plug
 - 11 O-ring
 - 12 Motor Casing
 - 13 Centrifugal Switch
 - 14 Cable
 - 15 Cable Gland
 - 16 Cable Sleeve
 - 17 Upper Bearing
 - 18 Stator
 - 19 Shaft/Rotor
 - 20 Lower Bearing
 - 21 Oil
- Typical View-Models may vary

