

# Electronic Flow Meter **T-T Flow Valves**<sup>®</sup>



Acuflux liquid turbine flow meters offer high accuracy and repeatable measurement under the most demanding conditions

## Features

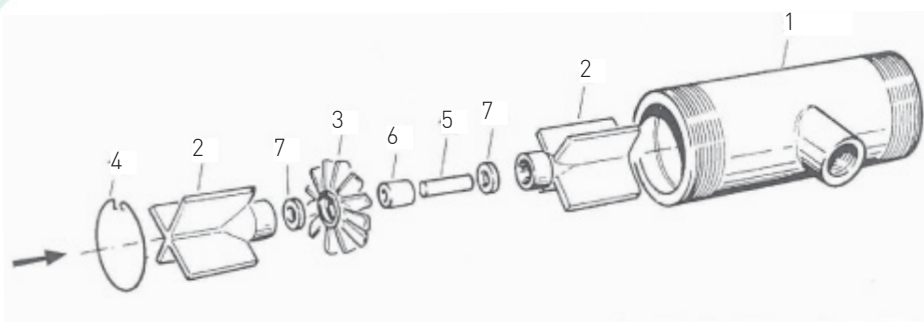
- Two line LCD display indicating flow rate, volume and cumulative totals
- Directly mounted battery operated IP56 enclosure
- Display capacity up to 999,999 units
- Display units including litres, US gallons and imperial gallons
- Corrosion resistant stainless steel turbine and body
- Accuracy of +/-1%
- 40 Bar maximum working pressure
- 1/2" to 5" BSP female threaded connections
- Temperature range: -40°C to +85°C
- Low battery indication
- Robust low maintenance design

## Options:

- **Remote display**
- **Stainless steel bearing supports**
- **Predetermined electrical output pulse**

No.	MATERIAL	QNTY
1	AISI 316	1
2	PLASTIC	2
3	AISI 420F	1
4	AISI 420	1
5	CERAMIC	1
6	CERAMIC	1
7	CERAMIC	2

TYPE	INLET/OUTLET	ACCURACY	MAX PRESSURE	CAPACITY
ACUFLUX 1/2"	BSP-M 1"	±1%	40 Bar	3-30 L/MIN
ACUFLUX 3/4"	BSP-M 1"	±1%	40 Bar	7-70 L/MIN
ACUFLUX 1"	BSP-M 1 1/4"	±1%	40 Bar	10-100 L/MIN
ACUFLUX 1 1/2"	BSP-M 1 1/2"	±1%	40 Bar	35-350 L/MIN
ACUFLUX 2"	BSP-M 2"	±1%	40 Bar	72-750 L/MIN
ACUFLUX 2 1/2"	BSP-M 2 1/2"	±1%	40 Bar	100-1000 L/MIN
ACUFLUX 3"	BSP-M 3"	±1%	40 Bar	150-1500 L/MIN
ACUFLUX 4"	BSP-M 4"	±1%	40 Bar	300-3000 L/MIN
ACUFLUX 5"	BSP-M 5"	±1%	40 Bar	500-5000 L/MIN



T-T Flow Valves, Woore, Cheshire, CW3 9RU  
 Tel: 01630 647111 Fax: 01630 642100  
 www.ttflow.com e-mail: info@ttflow.com

© T-T PUMPS LTD 2016. DATA 1619: 14/01/2016



**T-T PUMPS**<sup>®</sup>

**T-T Pumping Stations**<sup>®</sup>

**T-T Controls**<sup>®</sup>

**T-T Service**<sup>®</sup>

**T-T Agricultural & Environmental**<sup>®</sup>

**T-T Flow Valves**<sup>®</sup>