

Sinking Ball Check Valve

ball
brake

T-T Flow[®]
Valves

Sinking ball check valve used to prevent reverse flow. Suitable for water and wastewater applications up to 60°C.

Features

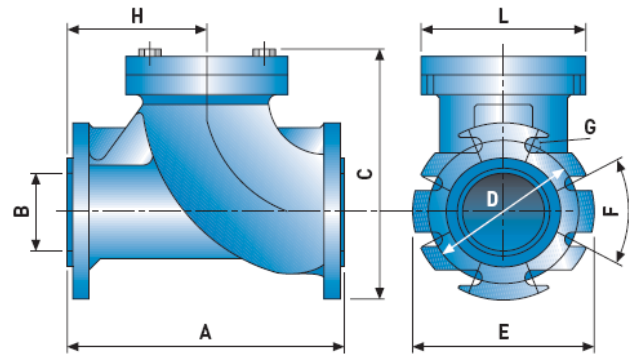
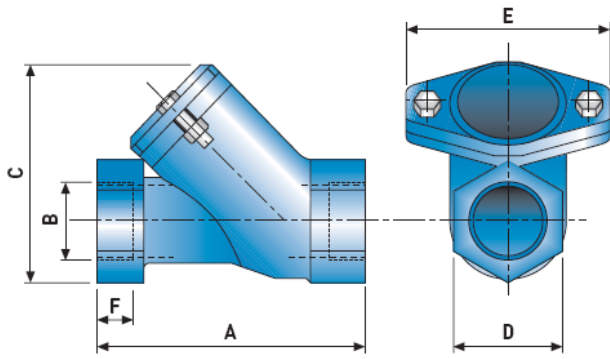
- DN32 to DN50 BSP female threaded
- DN65 to DN300 flanged PN10; on request PN16
- 100% free passage
- Bolted inspection cover
- Integral flange gaskets (UTI DN200)
- Robust epoxy coating
- Suitable for both horizontal and vertical installation

Materials

- Body: Cast iron
- Ball: NBR
- Seals: NBR
- Bolting: A2 stainless steel



T-T Flow, Woore, Cheshire, CW3 9RU
Tel: 01630 647111 Fax: 01630 642100
www.ttflow.com e-mail: info@ttflow.com



DIMENSIONS: THREADED VALVES								
DN	A	B	C	D	E	F	Weight (Kg)	PFA (Bar)
G32 (1¼")	155	1¼"	120	60	110	20	2	16
G40 (1½")	155	1½"	120	60	110	20	1.9	16
G50 (2")	180	2"	150	72	115	25	3	16

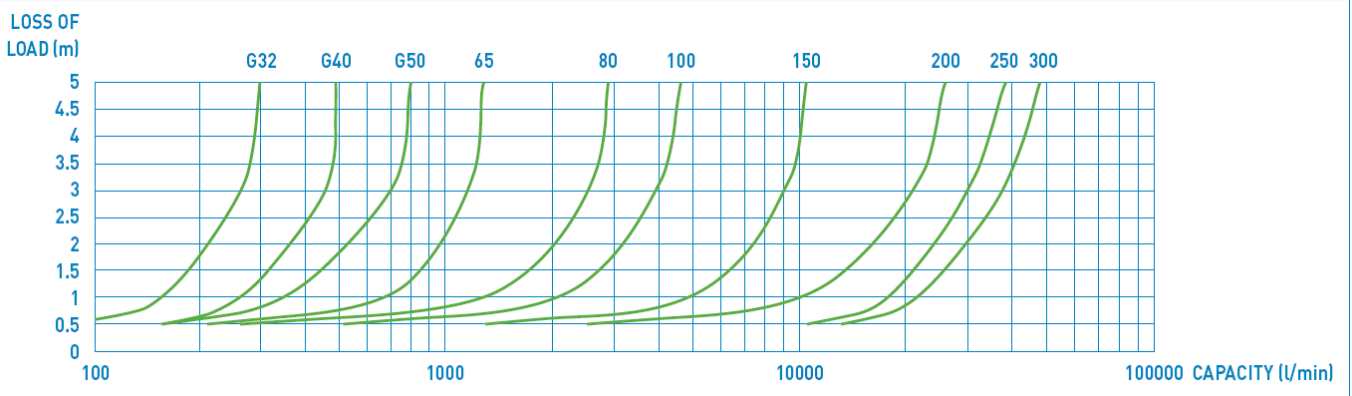
Dimensions in mm, unless otherwise stated. DN = Nominal Valve Size. PFA = Allowable Operating Pressure.

DIMENSIONS: FLANGED VALVES											
DN	A	B	C	D	E	F	G	H	L	Weight (Kg)	PFA (Bar)
65	240	65	220	145	185	90	18	110.5	149	11	16
80	260	80	255	160	200	45	18	136	187	14	16
100	300	100	310	180	220	45	18	170	200	24.5	16
150	400	150	425	240	285	45	22	200	291	45	10
200	500	200	540	295	340	45	22	245	342	90	10
250	600	250	630	350	395	30	22	300	400	163	10
300	700	300	680	400	445	30	22	350	550	230	10

DN = Nominal Valve Size. PFA = Allowable Operating Pressure. G = hole diameter

LOSS OF LOAD

m	SIZE OF VALVE									
	G32	G40	G50	DN65	DN80	DN100	DN150	DN200	DN250	DN300
0.5	5	157	165	210	262	525	1312	2537	10583	13333
1	9	262	350	68	1260	2100	4725	9800	17833	21666
3	15	437	700	1140	2540	3940	9012	21000	30000	37500
5	17	490	800	1280	2975	4725	10500	26250	38334	48500



MATERIALS USED

Valve body and cover	Cast Iron GJL-250
Seal*	Rubber [NBR]
Sinking ball	Rubber [NBR]
Fixings	Steel A2
Paint finish	Fusion-bonded epoxy resin

*Present up to DN200.