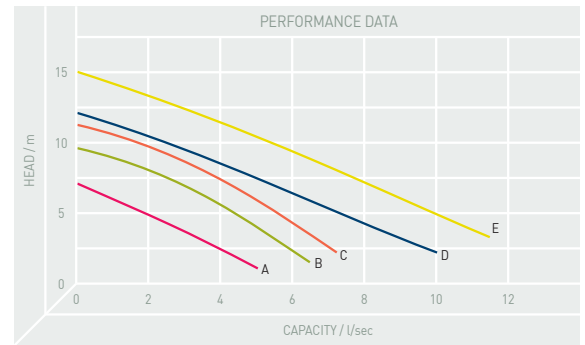


Designed for domestic and industrial use, the DG Blue Pro range of sewage pumps are suitable for pumping water polluted with suspended solid particles. The cast iron vortex impeller gives great performance in terms of flow rate and head, including integral free passage of up to 50mm.

Features:

- Cast iron construction and impeller
- Double mechanical seal within oil bath
- Up to 50mm solids handling
- 0.37 - 1.5kW output
- 40 - 50mm vertical discharge
- Automatic as standard, floats removed on request
- Other motors available in 110V by request
- Auto-coupling available on request



TECHNICAL SPECIFICATION

PUMP TYPE	PRODUCT CODE	CURVE	OUTLET "/mm	FREE PASSAGE mm	CABLE LENGTH m	kW	WEIGHT kg
DG BLUE PRO 50/2/G40V 230V/1Ph	PZ/1082.005	/A	1½"/40mm	40	10	0.37	13
DG BLUE PRO 50/2/G40V 400V/3Ph	PZ/1084.004	/A	1½"/40mm	40	10	0.37	13
DG BLUE PRO 75/2/G40V 110V/1Ph	PZ/1086.011	/B	1½"/40mm	40	10	0.55	15
DG BLUE PRO 75/2/G40V 230V/1Ph	PZ/1086.005	/B	1½"/40mm	40	10	0.55	15
DG BLUE PRO 75/2/G40V 400V/3Ph	PZ/1088.004	/B	1½"/40mm	40	10	0.55	15
DG BLUE PRO 100/2/G40V 230V/1Ph	PZ/1078.005	/C	1½"/40mm	40	10	0.74	15.5
DG BLUE PRO 100/2/G40V 400V/3Ph	PZ/1079.004	/C	1½"/40mm	40	10	0.74	15.5
DG BLUE PRO 150/2/G50V 110V/1Ph	PZ/1102.006	/D	2"/50mm	50	10	1.1	23
DG BLUE PRO 150/2/G50V 230V/1Ph	PZ/1102.005	/D	2"/50mm	50	10	1.1	23
DG BLUE PRO 150/2/G50V 400V/3Ph	PZ/1103.002	/D	2"/50mm	50	10	1.1	23
DG BLUE PRO 200/2/G50V 230V/1Ph	PZ/1104.004	/E	2"/50mm	50	10	1.5	24
DG BLUE PRO 200/2/G50V 400V/3Ph	PZ/1105.002	/E	2"/50mm	50	10	1.5	24

Max. ambient temperature	40°C
Max. density treated liquid	1100 kg/m³
Max. immersion depth	20 m
pH treated liquid	6 ÷ 14
Max. start per hour (equally distributed)	30
Wet/dry use	WET
Max. acoustic pressure level	70dB
Operating mode	S1-Continuous use

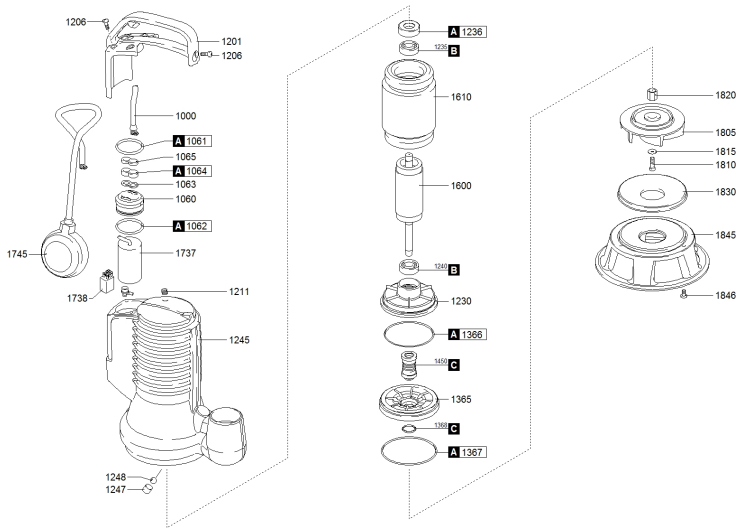
PARTS AND MATERIAL LISTS

ITEM	DESCRIPTION	QTY
A	GASKETS KIT	1
B	MECHANICAL SEALS KIT	1
C	BEARINGS KIT	1
1000	POWER CABLE	1
1060	HOLDER [CABLE GLAND]	1
1061	UPPER GASKET - HOLDER [CABLE GLAND]	1
1062	LOWER GASKET - HOLDER [CABLE GLAND]	1
1063	CABLE STOP	1
1064	RUBBER GASKET	1
1065	CABLE GLAND	1
1201	CABLE GLAND (HANDLE)	1
1206	SCREW [CABLE GLAND HANDLE >> COVER]	5
1211	CAP [TIGHTNESS TEST]	1
1230	LOWER BEARING HOLDER	1
1235	UPPER BEARING	1
1240	LOWER BEARING	1

ITEM	DESCRIPTION	QTY
1245	MOTOR CASE	1
1295	UPPER DISTANCE RING [LOWER BEARING]	1
1346	WAVE SPRING	1
1365	MECHANICAL SEAL FLANGE	1
1366	GASKET [LOWER BEARING HOLDER >> MECHANICAL SEAL FLANGE]	1
1367	GASKET [MECHANICAL SEAL FLANGE >> BASE]	5
1368	V-RING [MECHANICAL SEAL FLANGE]	1
1450	MECHANICAL SEAL	1
1600	SHAFT WITH ROTOR	1
1610	WOUND STATOR	1
1737	CAPACITOR	1
1745	FLOAT SWITCH	1
1805	IMPELLER	1
1810	LOCKING IMPELLER	1
1845	BASE	1
1846	SCREW [BASE >> MOTOR CASE]	3

PARTS DRAWING

1082.005 - DGBLUEP 50/2/G40V A1BM5 NGTGB51H23N00NN



BluePRO 50
DC Grey 51A

DIMENSIONAL DRAWING

