

## Multistage Submersible Pump

The RC500 and RC900 multistage submersible pumps are ideal for the transfer and pressurisation of clean water.

The pump has a stainless steel construction and impeller with Noryl diffuser. The pump is available with manual or automatic operation with adjustable float switch. The RC500 is a manual pump and the RC900 is an automatic pump.

### Features:

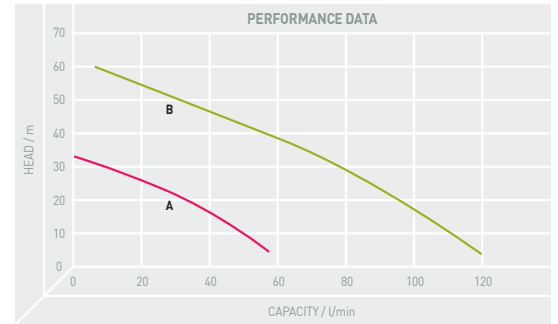
- Suitable for wells up to 50m deep
- Stainless steel construction and impeller
- Noryl diffuser
- Liquid temperature up to 40°C
- Mechanical seal within oil bath.



RC500



RC900



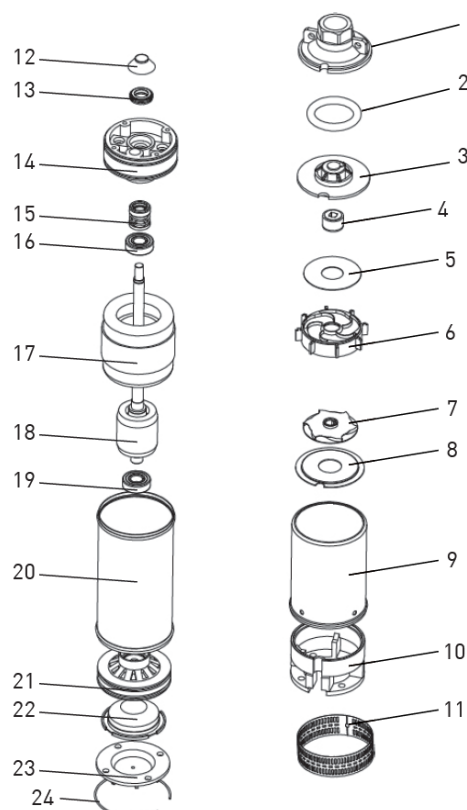
## TECHNICAL SPECIFICATION

TYPE	PRODUCT CODE	CURVE	INLET x OUTLET "/mm	kW	WEIGHT kg
RC500 230V/1Ph	PM/RC500/1	/A	1 x 1 / 25 x 25	0.25	12
PC900 230V/1Ph	PM/RC900/1	/B	1½ x 1½ / 32 x 32	0.9	13
RC900 400V/3Ph	PM/RC900/3	/B	1½ x 1½ / 32 x 32	0.9	13
RC floating suction kit	PMS/FSKIT1.5M	-	1½ x 1½ / 32 x 32	-	2.9

220V 50Hz	MOTOR		kW		A		FLOW QUANTITY							30mm 1"1/4G
	HP	kW	220V	380V	220V	380V	m <sup>3</sup> /h	0	1.2	2.4	3.1	3.4	-	
RC500	0.33	0.25	0.25	-	2.6	-	l/min	32	25	16	8	4	-	
RC900	1.2	0.9	0.9	0.9	6.3	2.5	m <sup>3</sup> /h	0	2	3.5	5	5.8	6.2	
							l/min	60	50	40	30	20	18	

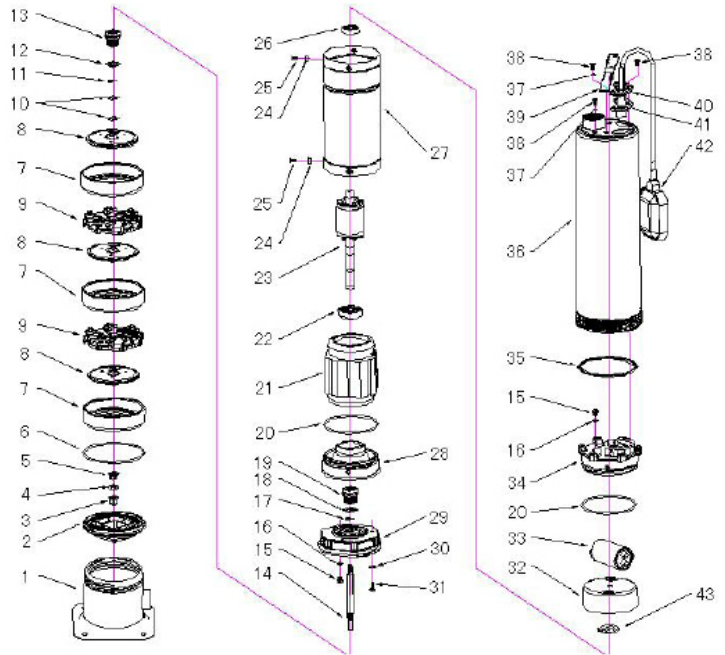
## PARTS AND MATERIAL LIST - RC500

No.	PART	No.	PART
1	Brass outlet	13	Oil seal base
2	O Ring	14	Upper bearing base
3	Upper Cover	15	Mechanical seal
4	Bearing	16	Bearing
5	S.s plate	17	Stator
6	Diffuser	18	Rotor
7	Impeller	19	Bearing
6	S.s plate	20	Motor body
9	Pump body	21	Lower bearing base
10	Joint	22	Membrane
11	Filter	23	Gland cover

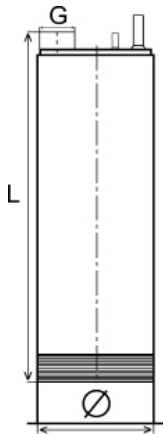


## PARTS AND MATERIAL LISTS - RC900

No.	PART	No.	PART
1	Inlet Base	23	Rotor
2	Bearing bracket	24	Positioning Pin
3	Rubber bearing	25	Screw
4	Thin nut	26	Upper bearing
5	Nut	27	Motor frame
6	O Ring	28	Lower bearing bracket
7	Diversion Shell unit	29	Mechanical seal bracket
6	Impeller	30	Washer
9	Diversion Shell unit	31	Screw
10	Washer	32	Upper bearing bracket
11	Washer	33	Capacitor
12	Oil seal washer	34	Upper cover
13	Mechanical Seal	35	Pump seal frame
14	Pump shaft	36	Pump frame
15	Oil screw	37	O Ring
16	O Ring	38	Screw
17	Washer	39	Handle
18	Oil seal washer	40	Cable gland cover
19	Mechanical Seal	41	Power cable
20	O Ring	42	Float Switch
21	Stator	43	Corrugated metal casket
22	Lower bearing		



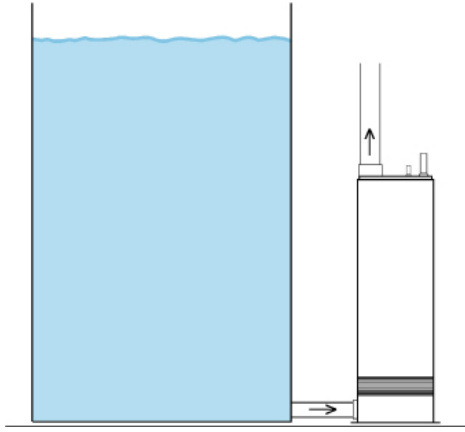
## DIMENSIONAL DRAWINGS



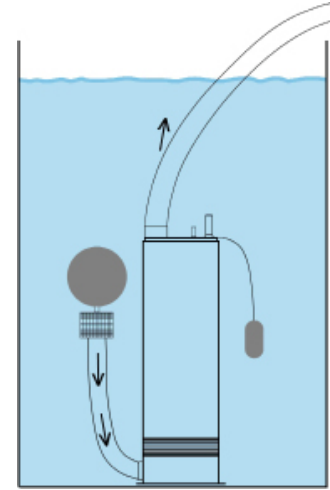
Type	G	L	Ø	Weight kg
RC500	1"	385	100	12
RC900	1¼"	600	175	13

## ASSEMBLY - RC900

SURFACE MOUNTED OPTION



SUBMERSIBLE OPTION



ONLY FOR  
RC900

Inlet floating assembly - optional extra

## ASSEMBLY - RC500

