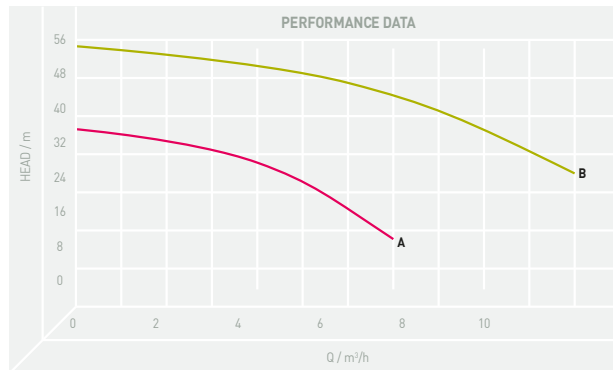


Washdown Set

A range of powerful washdown sets suitable for general farm use and washing. A full kit comprising of a pump mounted on a stainless steel base complete with auto-stop/start, hose, fittings and an adjustable nozzle.



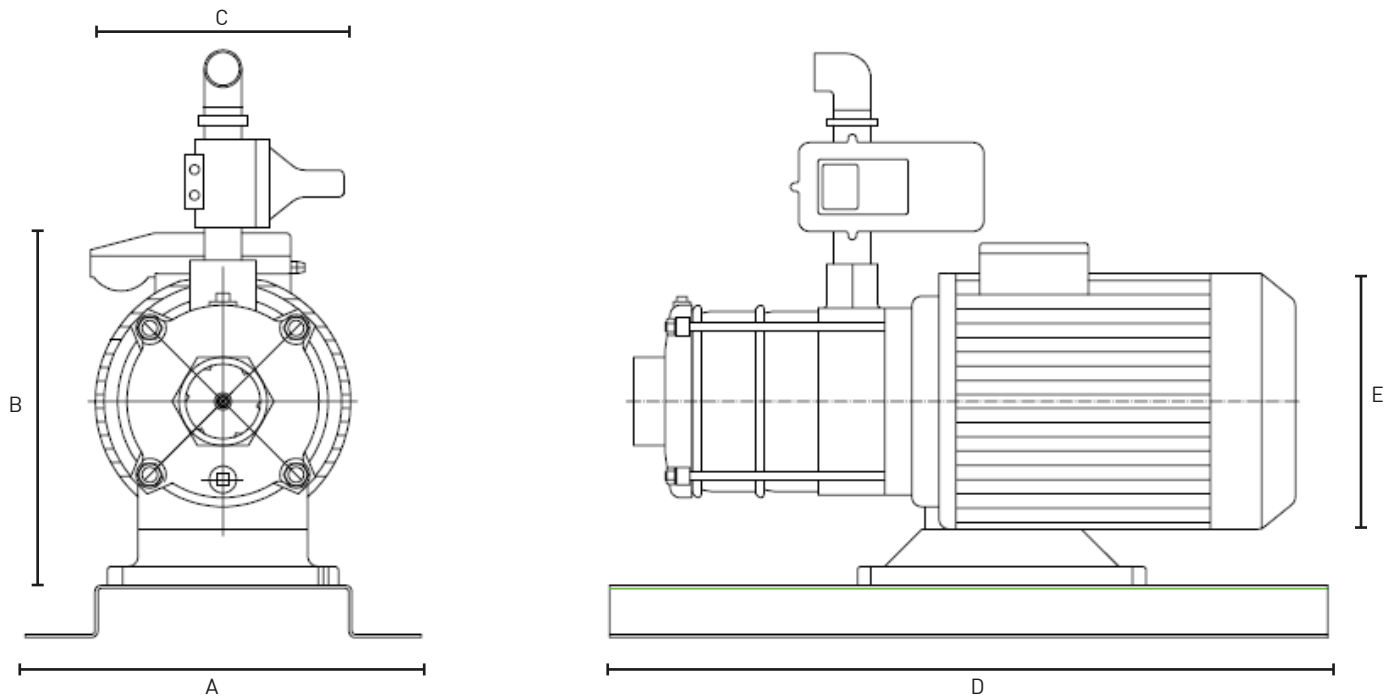
FEATURES

- Heavy duty robust and compact design
- Heavy duty stainless steel base
- Automatic stop/start
- Dry run protection
- Heavy duty adjustable brass nozzle
- 25 metre high quality hose
- Custom built versions available

TECHNICAL SPECIFICATION

PUMP TYPE	PRODUCT CODE	CURVE	PRESSURE BAR	FLOW RATE m³/h	kW	WEIGHT kg
Farm Wash 230V/1Ph	PF/TTPW1	/A	1.5 - 3.5	2 - 7	0.75	40
Farm Wash 230V/1Ph	PF/TTPW2	/B	3 - 5	5 - 11	2.2	50

DIMENSIONAL DRAWING



PUMP TYPE	A	B	C	D	E
Farm Wash 230V/1Ph	200	225/245	130	600	170
Farm Wash 230V/1Ph	200	225/245	130	600	170