

TBM Mixer Range

T-T Agricultural & Environmental

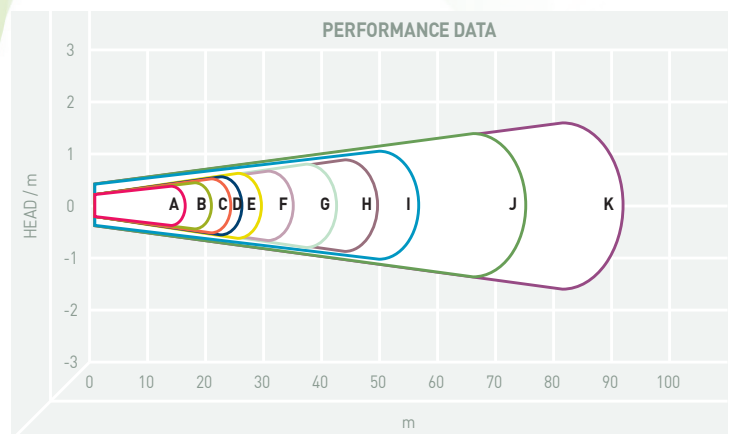


Features

- Cast iron and stainless steel construction
- Single mechanical seal and twin lipseals
- 1.5 - 18.5kW output
- Max submergence depth 20m
- Max solid content in liquid 12%
- Max temperature of liquid 40°C
- Superior planetary gearbox on 4 pole motors
- PH5-12
- EX versions available

Applications

- Effluent Processing
- Industrial Processing
- Agriculture
- Sewage & Treatment works
- Pumping station agitation
- Biogas Process



| | PUMP TYPE | CURVE | CODE | MOTOR RATING kW | RPM N | CAPACITY m ³ /h | CABLE LENGTH m | WEIGHT kg |
|--------------|----------------------|-------|-----------------|-----------------|-------|----------------------------|----------------|-----------|
| 6 POLE MOTOR | TBM 1.5/6N 400V/3Ph | /A | PCR/TBM1.5/6/3 | 1.5 | 925 | 585 | 10 | 54 |
| | TBM 2.2/6N 400V/3Ph | /B | PCR/TBM2.2/6/3 | 2.2 | 940 | 833 | 10 | 57 |
| 4 POLE MOTOR | TBM 2.2/4 400V/3Ph | /C | PCR/TBM2.2/4/3 | 2.2 | 323 | 1275 | 10 | 75 |
| | TBM 3/4 400V/3Ph | /D | PCR/TBM3.0/4/3 | 3 | 323 | 1462 | 10 | 78 |
| | TBM 4/4 400V/3Ph | /E | PCR/TBM4.0/4/3 | 4 | 320 | 2000 | 10 | 81 |
| | TBM 5.5/4N 400V/3Ph | /F | PCR/TBM5.5/4/3 | 5.5 | 326 | 2162 | 10 | 109 |
| | TBM 7.5/4N 400V/3Ph | /G | PCR/TBM7.5/4/3 | 7.5 | 328 | 2821 | 10 | 115 |
| | TBM 9/4N 400V/3Ph | /H | PCR/TBM9.0/4/3 | 9 | 328 | 3013 | 10 | 123 |
| | TBM 11/4 400V/3Ph | /I | PCR/TBM11.0/4/3 | 11 | 351 | 3286 | 10 | 183 |
| | TBM 15/4N 400V/3Ph | /J | PCR/TBM15.0/4/3 | 15 | 351 | 5489 | 10 | 193 |
| | TBM 18.5/4N 400V/3Ph | /K | PCR/TBM18.5/4/3 | 18.5 | 354 | 6702 | 10 | 203 |

T-T PUMPS Ltd, Woore, Cheshire, CW3 9RU
 Tel: 01630 647200 Fax: 01630 642100
 www.ttpumps.com email: response@ttpumps.com

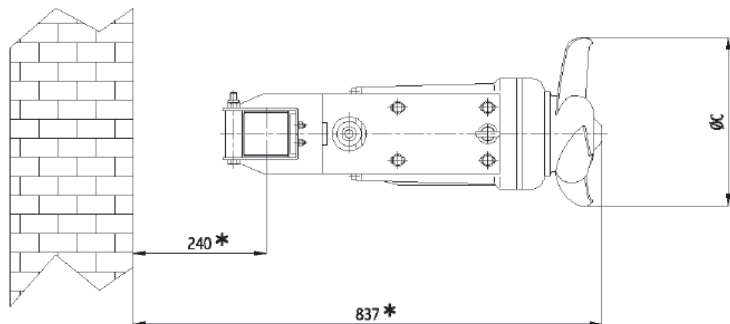
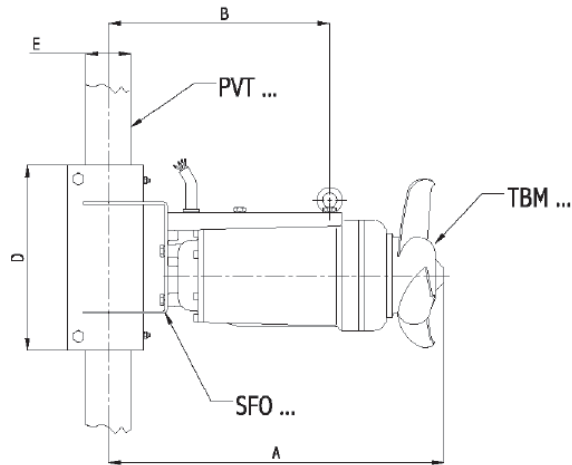
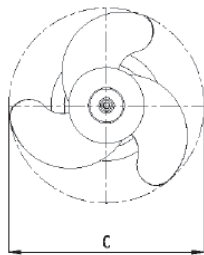
T-T PUMPS® **T-T Pumping Stations**® **T-T Controls**® **T-T Service**® **T-T Agricultural & Environmental**® **T-T Flow Valves**®

50Hz - Three-Phase-Motor Features - Voltage rating $\pm 10\%$

| TYPE | | MOTOR RATING [kW] | WINDINGS [V] | ABSORPTION [A (400V)] | FEEDING CABLE | | | AVVIAMENTO | | MIXER CHARACTERISTICS | | | |
|---------------|-----------------------------|----------------------|-----------------|--------------------------|---------------|--|---------------------|------------|------|-----------------------|------|---------------------------------|---------------------|
| STANDARD | ATEX 2G / Ex d I B T4 Gb | | | | n° cables | n° of wires x size [mm ²] | cable length [m] | d'irect | △-△ | Blades N. | RPM | Capacity [m ³ /h] | Axial force* [N] |
| TBM 1,5 / 6N | | 1,5 | 230-400 | 4,2 | 1 | 9 x 1,5 | 10 | △ | △ | 3 | 925 | 643 | 230 |
| TBM 2,2 / 6N | | 2,2 | | 5,9 | | | | 940 | 876 | | 313 | | |
| TBM 2,2 / 4 | TBMex 2,2 / 4 | 2,2 | | 5,3 | | | | 323 | 1333 | | 441 | | |
| TBM 3 / 4 | TBMex 3 / 4 | 3 | | 6,8 | | | | 323 | 1581 | | 580 | | |
| TBM 4 / 4 | TBMex 4 / 4 | 4 | 400-690 | 9,1 | 1 | 9 x 2,5 | 10 | △ | △-△ | 2 | 320 | 2146 | 853 |
| TBM 5,5 / 4N | TBMex 5,5 / 4 | 5,5 | | 12,5 | | | | 326 | 2391 | | 981 | | |
| TBM 7,5 / 4N | TBMex 7,5 / 4 | 7,5 | | 15,8 | | | | 328 | 3254 | | 1520 | | |
| TBM 9 / 4N | TBMex 9 / 4 | 9 | | 19 | | | | 328 | 3628 | | 1826 | | |
| TBM 11 / 4 | TBMex 11 / 4 | 11 | | 23,5 | 351 | 3977 | 2158 | | | | | | |
| TBM 15 / 4N | TBMex 15 / 4 | 15 | | 30 | 351 | 5335 | 2697 | | | | | | |
| TBM 18,5 / 4N | TBMex 18,5 / 4 | 18,5 | | 36 | 354 | 6884 | 3826 | | | | | | |

TBM 1,5 / 6N

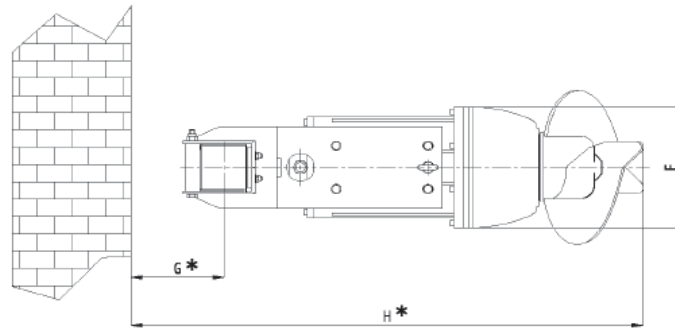
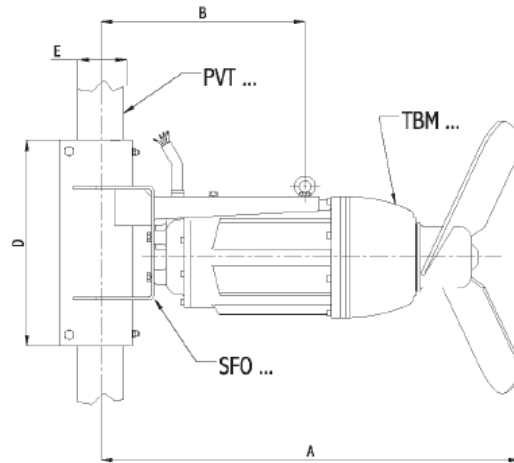
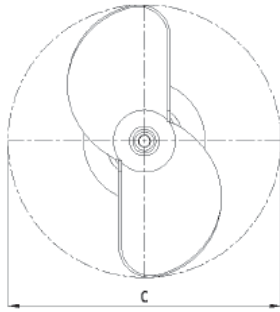
TBM 2,2 / 6N



| TYPE | Motor [kW] | Overall Dimensions [mm] | | | | | Weight [kg] |
|--------------|---------------|----------------------------|-----|-----|-----|-------|----------------|
| | | A | B | C | D | □ E | |
| TBM 1,5 / 6N | 1,5 | 595 | 395 | 297 | 330 | 80x80 | 54 |
| TBM 2,2 / 6N | 2,2 | | | 347 | | | 57 |

T-T PUMPS Ltd, Woore, Cheshire, CW3 9RU
 Tel: 01630 647200 Fax: 01630 642100
 www.ttpumps.com email: response@ttpumps.com

| | | |
|---------------|----------------|-----------------|
| TBM 2,2 / 4 | TBM 5,5 / 4N | TBM 11 / 4 |
| TBMex 2,2 / 4 | TBMex 5,5 / 4 | TBMex 11 / 4 |
| TBM 3 / 4 | TBM 7,5 / 4N | TBM 15 / 4N |
| TBMex 3 / 4 | TBMex 7,5 / 4N | TBMex 15 / 4N |
| TBM 4 / 4 | TBM 9 / 4 | TBM 18,5 / 4N |
| TBMex 4 / 4 | TBMex 9 / 4 | TBMex 18,5 / 4N |

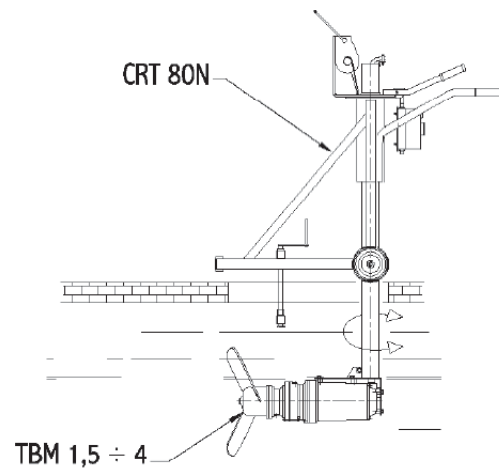
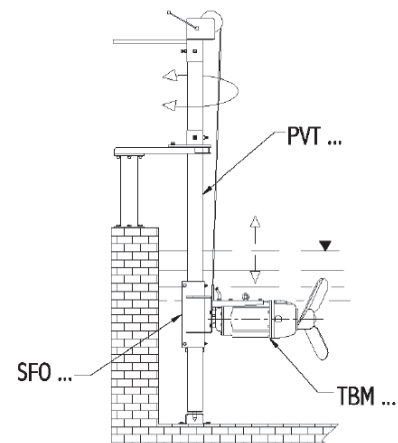
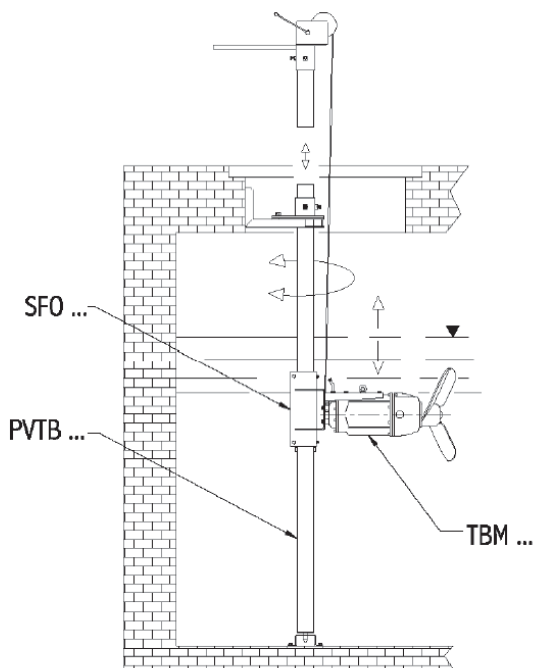
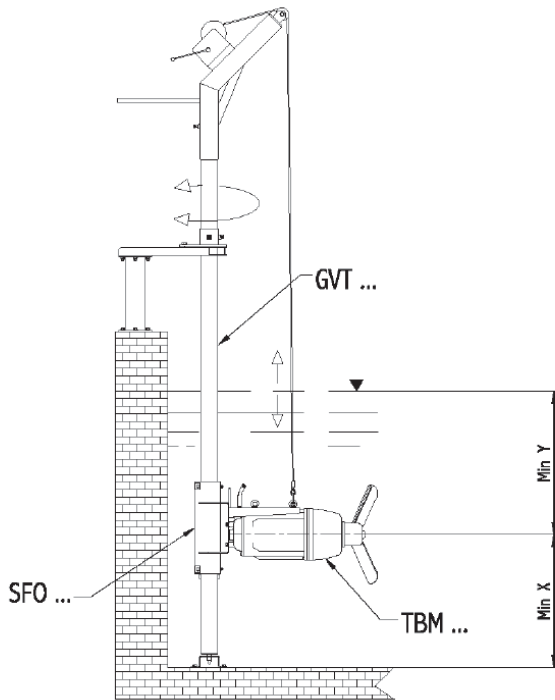


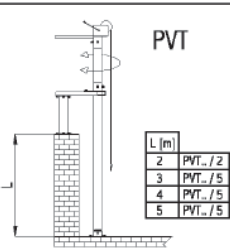
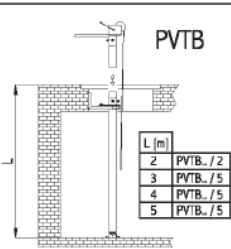
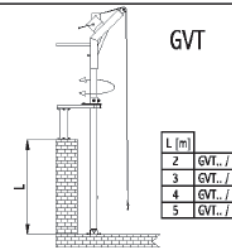
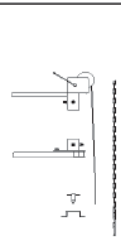
| TYPE | Motor [kW] | Overall Dimensions [mm] | | | | | | | | Weight [kg] |
|----------------|---------------|-------------------------|-----|-----|-----|---------|-----|-----|------|----------------|
| | | A | B | C | D | E | F | G* | H* | |
| TBM 2,2 / 4 | 2,2 | 820 | 395 | 445 | 330 | 80x80 | 197 | 240 | 1060 | 75 |
| TBMex 2,2 / 4 | | | | 460 | | | | | | 77 |
| TBM 3 / 4 | 3 | 830 | 395 | 460 | 330 | 80x80 | 197 | 240 | 1070 | 78 |
| TBMex 3 / 4 | | | | 460 | | | | | | 80 |
| TBM 4 / 4 | 4 | 840 | 395 | 515 | 330 | 80x80 | 197 | 240 | 1080 | 81 |
| TBMex 4 / 4 | | | | 515 | | | | | | 83 |
| TBM 5,5 / 4N | 5,5 | 889 | 445 | 535 | 450 | 100x100 | 264 | 250 | 1139 | 109 |
| TBMex 5,5 / 4 | | | | 535 | | | | | | 112 |
| TBM 7,5 / 4N | 7,5 | 903 | 445 | 585 | 450 | 100x100 | 264 | 250 | 1153 | 115 |
| TBMex 7,5 / 4 | | | | 585 | | | | | | 118 |
| TBM 9 / 4N | 9 | 914 | 445 | 595 | 450 | 100x100 | 264 | 250 | 1164 | 123 |
| TBMex 9 / 4 | | | | 595 | | | | | | 126 |
| TBM 11 / 4 | 11 | 1035 | 505 | 600 | 550 | 100x100 | 310 | 250 | 1285 | 183 |
| TBMex 11 / 4 | | | | 600 | | | | | | 187 |
| TBM 15 / 4N | 15 | 1030 | 505 | 720 | 550 | 100x100 | 310 | 250 | 1280 | 193 |
| TBMex 15 / 4 | | | | 720 | | | | | | 197 |
| TBM 18,5 / 4N | 18,5 | 1045 | 505 | 780 | 550 | 100x100 | 310 | 250 | 1295 | 203 |
| TBMex 18,5 / 4 | | | | 780 | | | | | | 207 |

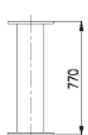

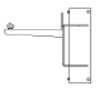
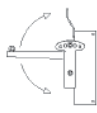
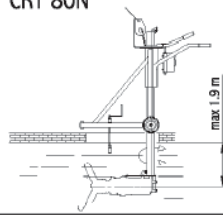
T-T PUMPS Ltd, Woore, Cheshire, CW3 9RU
 Tel: 01630 647200 Fax: 01630 642100
 www.ttpumps.com email: response@ttpumps.com

Recommended Minimum Submergence [mm]

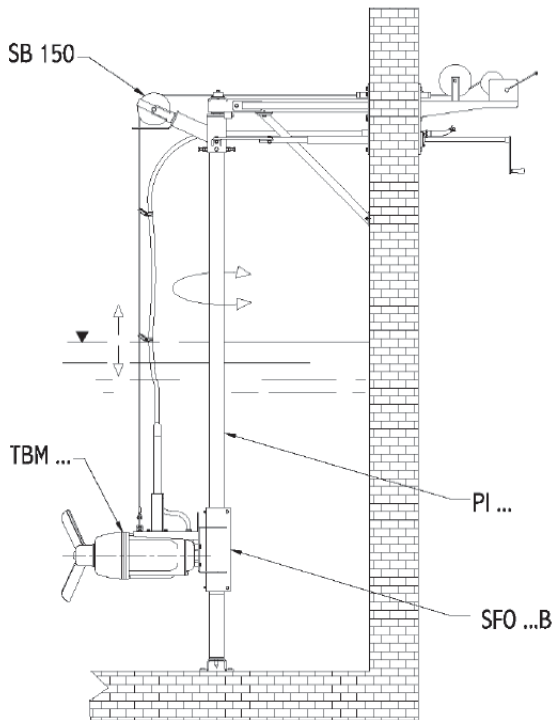
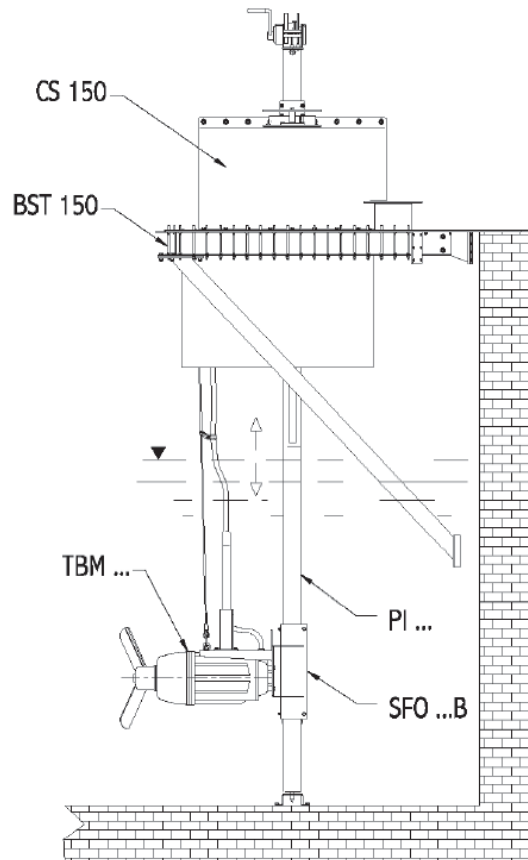
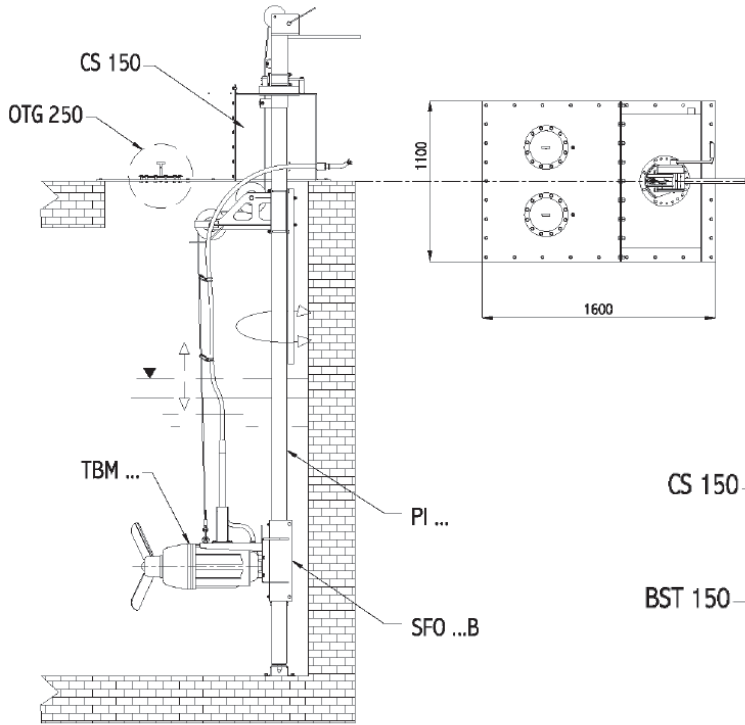
| TYPE | | Min X | Min Y |
|---------------|----------------|-------|-------|
| TBM 1,5 / 6N | | 500 | 600 |
| TBM 2,2 / 6N | | | |
| TBM 2,2 / 4 | TBMex 2,2 / 4 | 500 | 700 |
| TBM 3 / 4 | TBMex 3 / 4 | | |
| TBM 4 / 4 | TBMex 4 / 4 | | |
| TBM 5,5 / 4N | TBMex 5,5 / 4 | 670 | 750 |
| TBM 7,5 / 4N | TBMex 7,5 / 4 | | |
| TBM 9 / 4N | TBMex 9 / 4 | | |
| TBM 11 / 4 | TBMex 11 / 4 | 710 | 850 |
| TBM 15 / 4N | TBMex 15 / 4 | | |
| TBM 18,5 / 4N | TBMex 18,5 / 4 | | |

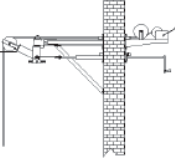
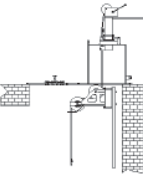
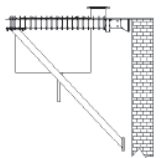




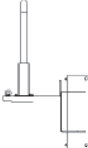

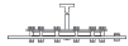

| Accessories | | | | | | | | | | | | | | | | | | | | | | | | | | | | | | | | | | |
|--|---|----------------|---------------|-------------|-----------|---|-----------|---|-----------|---|-----------|--|-------|------------|---|------------|---|------------|---|------------|---|------------|--|-------|-----------|---|-----------|---|-----------|---|-----------|---|-----------|---|
| Type | Hoist winch and rail pipe | | | Lifting kit | | | | | | | | | | | | | | | | | | | | | | | | | | | | | | |
| | PVT | PVTB | GVT | KIT | | | | | | | | | | | | | | | | | | | | | | | | | | | | | | |
| |  <table border="1"> <tr><th>L [m]</th><th>PVT.. / 2</th></tr> <tr><td>2</td><td>PVT.. / 5</td></tr> <tr><td>3</td><td>PVT.. / 5</td></tr> <tr><td>4</td><td>PVT.. / 5</td></tr> <tr><td>5</td><td>PVT.. / 5</td></tr> </table> | L [m] | PVT.. / 2 | 2 | PVT.. / 5 | 3 | PVT.. / 5 | 4 | PVT.. / 5 | 5 | PVT.. / 5 |  <table border="1"> <tr><th>L [m]</th><th>PVTB.. / 2</th></tr> <tr><td>2</td><td>PVTB.. / 5</td></tr> <tr><td>3</td><td>PVTB.. / 5</td></tr> <tr><td>4</td><td>PVTB.. / 5</td></tr> <tr><td>5</td><td>PVTB.. / 5</td></tr> </table> | L [m] | PVTB.. / 2 | 2 | PVTB.. / 5 | 3 | PVTB.. / 5 | 4 | PVTB.. / 5 | 5 | PVTB.. / 5 |  <table border="1"> <tr><th>L [m]</th><th>GVT.. / 2</th></tr> <tr><td>2</td><td>GVT.. / 5</td></tr> <tr><td>3</td><td>GVT.. / 5</td></tr> <tr><td>4</td><td>GVT.. / 5</td></tr> <tr><td>5</td><td>GVT.. / 5</td></tr> </table> | L [m] | GVT.. / 2 | 2 | GVT.. / 5 | 3 | GVT.. / 5 | 4 | GVT.. / 5 | 5 | GVT.. / 5 |  |
| L [m] | PVT.. / 2 | | | | | | | | | | | | | | | | | | | | | | | | | | | | | | | | | |
| 2 | PVT.. / 5 | | | | | | | | | | | | | | | | | | | | | | | | | | | | | | | | | |
| 3 | PVT.. / 5 | | | | | | | | | | | | | | | | | | | | | | | | | | | | | | | | | |
| 4 | PVT.. / 5 | | | | | | | | | | | | | | | | | | | | | | | | | | | | | | | | | |
| 5 | PVT.. / 5 | | | | | | | | | | | | | | | | | | | | | | | | | | | | | | | | | |
| L [m] | PVTB.. / 2 | | | | | | | | | | | | | | | | | | | | | | | | | | | | | | | | | |
| 2 | PVTB.. / 5 | | | | | | | | | | | | | | | | | | | | | | | | | | | | | | | | | |
| 3 | PVTB.. / 5 | | | | | | | | | | | | | | | | | | | | | | | | | | | | | | | | | |
| 4 | PVTB.. / 5 | | | | | | | | | | | | | | | | | | | | | | | | | | | | | | | | | |
| 5 | PVTB.. / 5 | | | | | | | | | | | | | | | | | | | | | | | | | | | | | | | | | |
| L [m] | GVT.. / 2 | | | | | | | | | | | | | | | | | | | | | | | | | | | | | | | | | |
| 2 | GVT.. / 5 | | | | | | | | | | | | | | | | | | | | | | | | | | | | | | | | | |
| 3 | GVT.. / 5 | | | | | | | | | | | | | | | | | | | | | | | | | | | | | | | | | |
| 4 | GVT.. / 5 | | | | | | | | | | | | | | | | | | | | | | | | | | | | | | | | | |
| 5 | GVT.. / 5 | | | | | | | | | | | | | | | | | | | | | | | | | | | | | | | | | |
| TBM 1,5 / 6N TBM 2,2 / 6N TBM 2,2 / 4 TBMex 2,2 / 4 TBM 3 / 4 TBMex 3 / 4 TBM 4 / 4 TBMex 4 / 4 | PVT 80 / ... | PVTB 80 / ... | GVT 80 / ... | KIT 80 | | | | | | | | | | | | | | | | | | | | | | | | | | | | | | |
| TBM 5,5 / 4N TBMex 5,5 / 4 TBM 7,5 / 4N TBMex 7,5 / 4 TBM 9 / 4N TBMex 9 / 4 | PVT 100 / ... | PVTB 100 / ... | GVT 100 / ... | KIT 100 | | | | | | | | | | | | | | | | | | | | | | | | | | | | | | |
| TBM 11 / 4 TBMex 11 / 4 TBM 15 / 4N TBMex 15 / 4 TBM 18,5 / 4N TBMex 18,5 / 4 | PVT 150 / ... | PVTB 150 / ... | GVT 150 / ... | KIT 150 | | | | | | | | | | | | | | | | | | | | | | | | | | | | | | |

| Accessories | | | | | |
|---|---|---|---|--|---|
| Type | Spacer | Cable Stop | Motor Bracket | Adjustable Motor Bracket | Trolley |
| | PT | FC | SFO | SRO | CRT 80N |
| |  |  |  |  |  |
| TBM 1,5 / 6N TBM 2,2 / 6N TBM 2,2 / 4 TBMex 2,2 / 4 TBM 3 / 4 TBMex 3 / 4 TBM 4 / 4 TBMex 4 / 4 | PT 80 | FC 16 | SFO 80 | | CRT 80N |
| TBM 5,5 / 4N TBMex 5,5 / 4 TBM 7,5 / 4N TBMex 7,5 / 4 TBM 9 / 4N TBMex 9 / 4 TBM 11 / 4 TBMex 11 / 4 TBM 15 / 4N TBMex 15 / 4 TBM 18,5 / 4N TBMex 18,5 / 4 | PT 100 | FC 20 | SFO 100 | SRO 100 | |
| | | FC 26 | SFO 150 | SRO 150 | |

Biogas Application



| Accessories for biogas | | | | |
|------------------------|---|--|--|---|
| | Biogas bracket | Service box | Balcony for gas holder | Fixing plugs kit |
| Type | SB 150  | CS150  | BST150  | KIT BST150  |
| TBM 1,5 / 6N | | | | |
| TBM 2,2 / 6N | | | | |
| TBM 2,2 / 4 | | | | |
| TBMex 2,2 / 4 | | | | |
| TBM 3 / 4 | | | | |
| TBMex 3 / 4 | | | | |
| TBM 4 / 4 | SB 150 | CS150 | BST150 | KIT BST150 |
| TBMex 4 / 4 | | | | |
| TBM 5,5 / 4N | | | | |
| TBMex 5,5 / 4 | | | | |
| TBM 7,5 / 4N | | | | |
| TBMex 7,5 / 4 | | | | |
| TBM 9 / 4N | | | | |
| TBMex 9 / 4 | | | | |
| TBM 11 / 4 | | | | |
| TBMex 11 / 4 | | | | |
| TBM 15 / 4N | | | | |
| TBMex 15 / 4 | | | | |
| TBM 18,5 / 4N | | | | |
| TBMex 18,5 / 4 | | | | |

| Accessories for biogas | | | | | |
|------------------------|---|---|---|---|--|
| | Rail pipe | Biogas motor bracket | Adjustable motor bracket | Porthole with squeegee | Cable Stop |
| Type | PI  | SFO ...B  | SRO ...B  | OTG 250  | FC ...B  |
| TBM 1,5 / 6N | | | | | |
| TBM 2,2 / 6N | | | | | |
| TBM 2,2 / 4 | | | | | |
| TBMex 2,2 / 4 | | | | | |
| TBM 3 / 4 | | | | | |
| TBMex 3 / 4 | | | | | |
| TBM 4 / 4 | PI 100 | SFO 100B | SRO 100B | OTG 250 | FC 20B |
| TBMex 4 / 4 | | | | | |
| TBM 5,5 / 4N | | | | | |
| TBMex 5,5 / 4 | | | | | |
| TBM 7,5 / 4N | | | | | |
| TBMex 7,5 / 4 | | | | | |
| TBM 9 / 4N | | | | | |
| TBMex 9 / 4 | | | | | |
| TBM 11 / 4 | | | | | |
| TBMex 11 / 4 | | | | | |
| TBM 15 / 4N | PI 150 | SFO 150B | SRO 150B | OTG 250 | FC 26B |
| TBMex 15 / 4 | | | | | |
| TBM 18,5 / 4N | | | | | |
| TBMex 18,5 / 4 | | | | | |