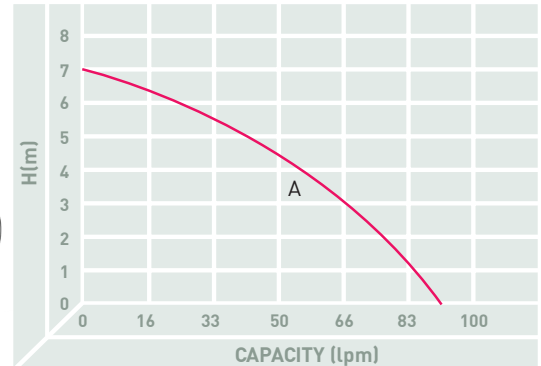


## FLAT SUCTION PUMP

Puddlepal Junior is a portable pump for emergency drainage, cellars, washhouses, pools, manholes and applications where water must be pumped out 'completely'.

### FEATURES

- The Puddle sucker pump is a submersible drainage water pump, made of corrosion and shock-resistant polypropylene and high-grade stainless steel
- Intake from 15 mm and suction down to 1mm
- Motor winding with thermal winding protection mechanical seal and additional shaft seal
- In automatic mode with T-T Probematic, switch-on point approx. 25 cm, switch-off point approx. 3 mm vertical pressure outlet 1" MPT with hose connection DN 25 integrated non-return valve
- Puddlepal Junior fits into a sump with an inner diameter larger than 200 mm
- Protection grade IP 68 – fully submersible
- Integrated non-return valve to prevent backflow



### TECHINAL SPECIFICATION

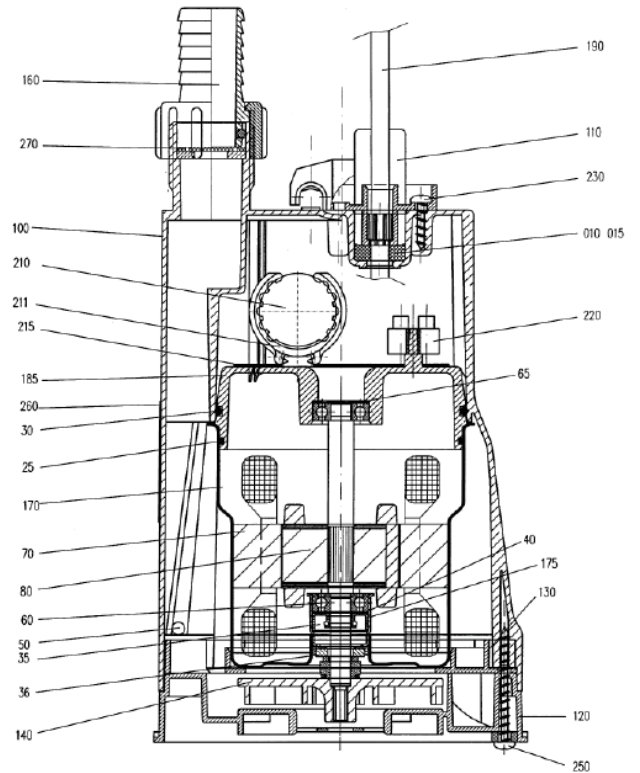
PRODUCT TYPE	PRODUCT CODE	CURVE	OUTPUT		DISCHARGE		T-T PROBEMATIC		MAXIMUM		FREE PASSAGE mm	rpm	CABLE m	WEIGHT kg
			Amp	kW	mm	inch	ON-min	OFF-min	HEAD m	CAPACITY lpm				
Puddlepal Junior	PZN/PAL/JNR/1	/A	1.3	0.16	25	1	n/a	n/a	7	91	25	2800	10	3.77
T-T Probematic	PZNS/11416	n/a	n/a	n/a	n/a	n/a	15	1	n/a	n/a	n/a	n/a	n/a	1.5

### PARTS AND MATERIALS LIST

POS	QTY	MATERIAL	PART NO.
	1	Motor unit complete with rotor and stator	900160
10	1	Sealing ring D=6	900101.1
15	1	Sealing plug	900112
30	1	O-ring 88x4	150.010
35	1	Radial shaft sealing ring 8x22x7	ZE 2047
36	1	Mechanical seal	270929
40	1	Adjusting washer	800.013
50	1	Ball	900104
60	2	Ball bearing	900105
65	1	Spring Water	800.014
100	1	Outer housing	100.200
110	1	Handle	900113.1
120	1	Pump housing	900114
130	1	Support ring	100.250
140	1	Running wheel	900117

## FLAT SUCTION PUMP

POS	QTY	MATERIAL	PART NO.
160	1	Hose nozzle with nut connector and O-ring	900110
190	1	Cable 11.5 with connector	900127
210	1	Condenser 5µF	900134
211	1	Condenser bracket	100.070
215	1	Insulating disc	100.040
220	1	Terminal block 5-pole	270027
230	4	Slotted pan head screw 3.9x16	800.043
250	4	Slotted pan head screw 3.9x50	90013.1
270	1	Non-return Valve	150.073



## DIMENSIONS

