

KNIFE GATE VALVE HANDWHEEL

Bi-directional, full-bore knife gate valve, having a non-rising spindle and serviceable inline.

FEATURES

- Bi-directional sealing, seals irrespectively of flow direction
- Full-bore to allow high flow rates with low pressure drop
- Wafer semi-lugged one-piece ductile iron body
- Stainless steel chamfered edged polished gate to effectively cut through media
- Stainless steel non-rising stem with rolled thread form to reduce friction
- No internal cavities avoids sediment accumulation
- Adjustable gland follower allowing in-service maintenance
- One-piece U-shaped nitrile seat
- Corrosion resistant construction
- O-ring on raised-face for flange joint integrity
- Handwheel operated. Accessories; cap, limit switches, solenoid valves, positioners, mechanical lockout and extension spindle.

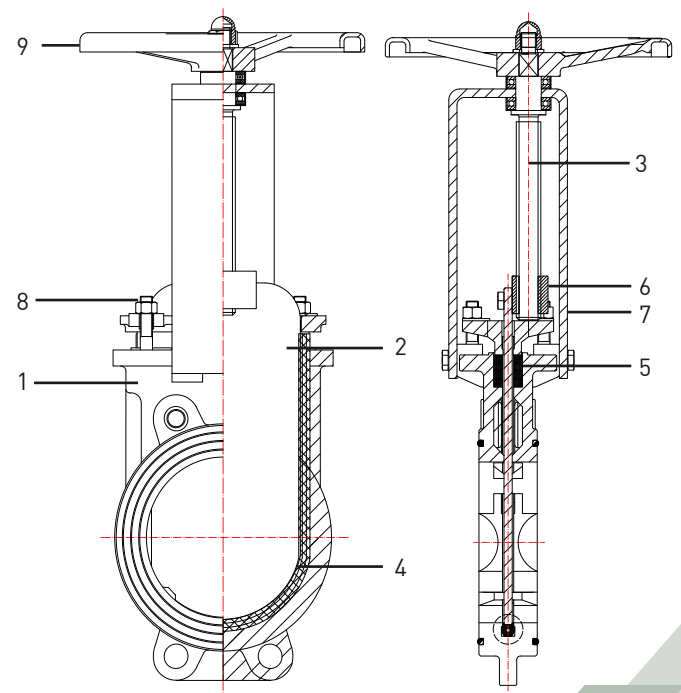


TECHNICAL SPECIFICATION

RANGE	DN80-DN300 (larger on request)
FLANGE ALIGNMENT	EN1092-2 Table 9 (PN16)
MAXIMUM WORKING PRESSURE	DN80-DN250 = 10 Bar and DN300 = 6 Bar
MAXIMUM TEMPERATURE	0°C - 80°C
TESTING	EN12266

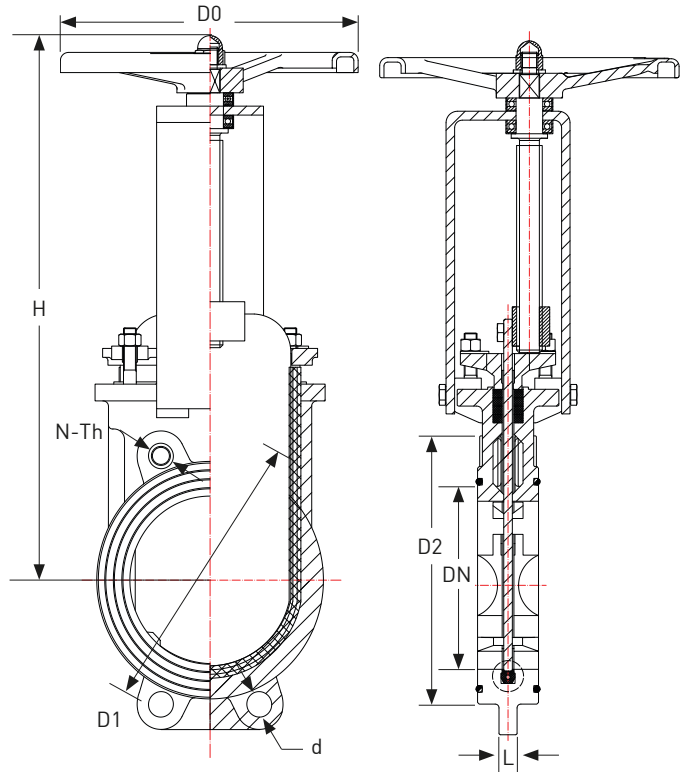
PARTS LIST

NUMBER	PART	MATERIAL
1	Body	Ductile iron GJS-400-15
2	Gate	Stainless steel 1.4301/ANSI 304
3	Stem	Stainless steel 1.4021/ANSI 420
4	U-shaped seat	NBR / Steel
5	Packing	PTFE
6	Stem nut	Bronze
7	Yoke plate	Epoxy coated carbon steel
8	Fasteners	Stainless steel 1.4372/ANSI 201
9	Handwheel or Cap	Ductile iron GJS-400-15



DIMENSIONAL DRAWINGS

DIMENSIONS							
DN	SIZE						Weight
(mm)	L	D2	D0	N-Th	d	H	(kgs)
80	51	200	220	8-M16	Ø18	350	10
100	51	220	240	8-M16	Ø18	385	13
125	57	250	240	8-M16	Ø18	430	18
150	57	285	280	8-M20	Ø23	485	23
200	60	340	300	12-M20	Ø23	565	30
250	70	405	320	12-M24	Ø27	680	51
300	76	460	320	12-M24	Ø27	755	63

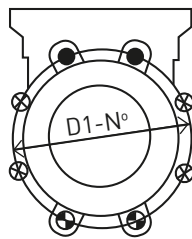


Dimensions in mm, unless otherwise stated. DN = Nominal Valve Size.
PFA = Allowable Operating Pressure

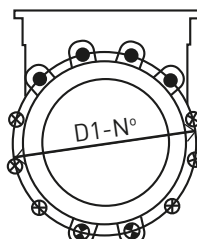
FLANGE DRILLINGS

DN	D1	N°	M	T	
80	160	8	M16	12	2 - 4 - 2
100	180	8	M16	12	2 - 4 - 2
125	210	8	M16	14	2 - 4 - 2
150	240	8	M20	14	2 - 4 - 2
200	295	12	M20	14	4 - 2 - 6
250	355	12	M24	18	4 - 2 - 6
300	410	12	M24	21	4 - 2 - 6

- Blind
- Through
- Tapped



DN80-200



DN250-300

