

# METAL SEAT SWING CHECK VALVE

## FIGURE 2200

Metal seat swing check valve used to prevent reverse flow. Suitable for potable water, wastewater and sewage applications.

### FEATURES

- Unique lightweight ductile iron design
- WRAS approved non-metallic components
- Durable fusion bonded epoxy coated
- Positive hexagonal drive between shaft and hanger
- Corrosion resistant construction
- Optional external lever arm and weight assembly
- Drilling bosses and ½" BSP air release as standard
- Robust low maintenance design
- Suitable for both horizontal and vertical installation



### TECHNICAL SPECIFICATION

<b>STANDARD</b>	BS EN 1074 Pt.3:2000.BS EN 12334:2001 and BS 5153:1974
<b>RANGE</b>	DN50 - DN300
<b>FLANGED DRILLINGS:</b>	BS EN 1092-2:1987 Table 9 (PN16) BS EN1092-2:1987 Table 8 (PN10) BS10 Table D or E
<b>FACE TO FACE DIMENSIONS</b>	EN558, Table 2, Basic Series 10
<b>MAXIMUM WORKING PRESSURE</b>	16 Bar
<b>HYDROSTATIC PRESSURE TESTS</b>	Seat: 1.1 x PN (17.6 Bar) & Body: 1.5 x PN (24.0 Bar)
<b>TEMPERATURE RANGE</b>	-10°C to 70 °C (insulate at 0°C and below)

### PARTS AND MATERIAL LIST

PART	MATERIAL
Body	Ductile Iron
Body Seat Ring	Copper Alloy
Door Seat Ring	Copper Alloy
Bolts	Stainless Steel
Washer	Stainless Steel
Hanger	Ductile Iron
Gasket	EPDM
Inspection Cover	Ductile Iron
Air Release Plug	Galvanised
Std.Bush Nut	Copper Alloy
Bush Seal	EPDM

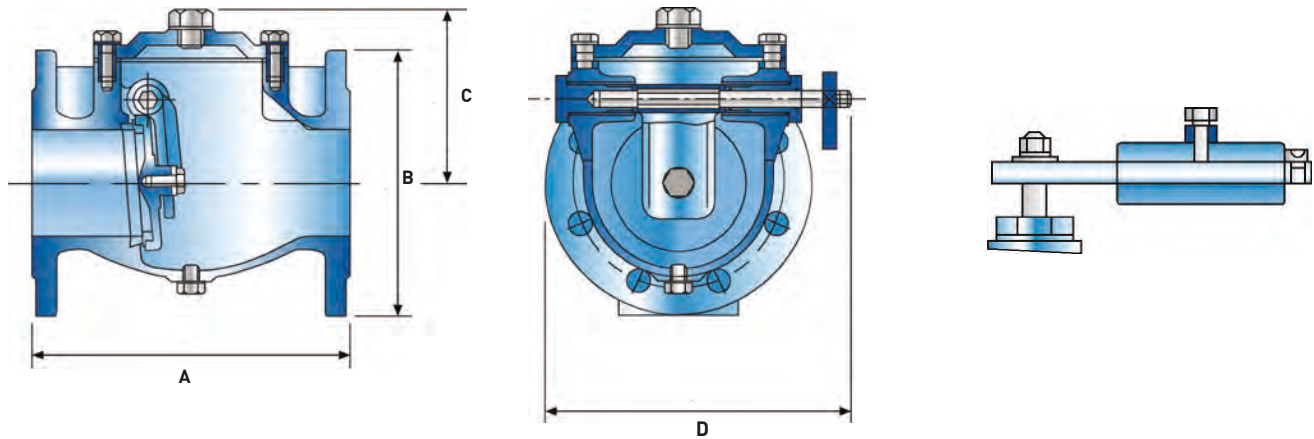
PART	MATERIAL
Spindle	Stainless Steel
'O' Ring	EPDM
PART	MATERIAL
L/W Bush Nut	Copper Alloy
Drain Plug	Stainless Steel
Lever Arm	Mild Steel
Nut	Stainless Steel
Spring Washer	Stainless Steel
Counter Weight	Ductile Iron

# METAL SEAT SWING CHECK VALVE

## FIGURE 2200

### DIMENSIONAL DRAWING

NOMINAL BORE (mm)	A	B	C	D	STANDARD WEIGHT (KG)	+ LEVER/WEIGHT (KG)
50	203	165	135	188	14	15
65	216	185	141	207	18	19
80	241	200	132	235	20	22
100	292	220	140	268	26	28
125	330	250	170	300	38	41
150	356	285	186	313	50	52
200	495	340	218	378	96	98
250	622	405	272	493	155	163



### OPTIONS AND ACCESSORIES

- External lever arm and weight, can be mounted on either side
- Safety guards for external lever arm and weight
- Flow sensing switching options
- Alternative flange drillings

\*Options maybe available subject to factory lead-times

