

## Resilient Seat Wedge Gate Valve

Resilient seat wedge gate valve used for pipeline isolation. Suitable for potable water duties and buried service.

### FEATURES

- Unique lightweight ductile iron design
- Wedge guides and rolled spindle thread for reduced operating friction
- Integral captive wedge nut for optimal lifespan
- Wax filled fasteners for corrosion resistance
- Stem seals replaceable under pressure
- Body gasket locates within recess to prevent being blown out
- Clockwise closing spindle as standard
- 100% full bore and body bosses
- Low maintenance design suitable for buried service



### TECHNICAL SPECIFICATION

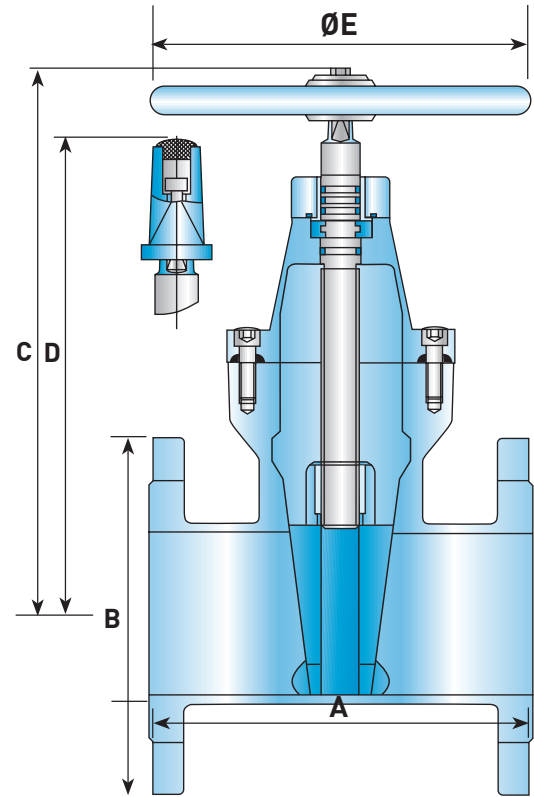
STANDARD	EN1074-1&2:2000, BS 5163 Pt 1&2: 2004 & EN1171:2002 (Cat.4)
RANGE	DN50 - DN300
FLANGED DRILLINGS	BS EN 1092-2:1987 Table 9 (PN16)
FACE TO FACE DIMENSIONS	EN558, Table 2, Basic Series 3
MAXIMUM WORKING PRESSURE	16 Bar
HYDROSTATIC PRESSURE TESTS	Seat: 1.1 x PN & Body: 1.5 x PN
TEMPERATURE RANGE	-10°C to 70 °C (insulate at 0°C and below)
Coating	Blue fusion bonded epoxy (>300µ and WRAS listed)

### MATERIAL SPECIFICATION

DESCRIPTION	MATERIAL	SPECIFICATION
Body / Bonnet / Seal Housing / Handwheel / Cap	Ductile Iron	EN1563 Gr-500/7
Spindle	Stainless Steel	EN10088 1.4401
Wedge	Ductile Iron EPDM Acetal	EN1563 Gr 500/7 WRAS Listed WRAS Listed
Stem Nut / Thrust Collar	Copper Alloy	EN12164 CW602N
Bearing	Copper Alloy	EN1982 CC491K
Fasteners	Stainless Steel	EN10088 1.4301
Seals	EPDM	WRAS listed
Coating	Fusion Bonded Epoxy	> 300µ WRAS Listed

**DIMENSIONAL DRAWINGS**

DIMENSIONS						
DN	A	B	C	D	E	Weight (kg)
50	178	165	228	257	180	12
65	190	185	261	290	180	15
80	203	200	281	312	205	20
100	229	220	310	342	205	24
125	254	250	373	405	250	41
150	267	285	398	429	280	48
200	292	340	500	568	320	71
250	330	400	574	643	360	109
300	356	460	662	731	500	130



Dimensions in mm. Weights are approximate.

**OPTIONS AND ACCESSORIES**

- Handwheel or stem cap operator
- Chainwheel
- Position indicator with optional switches
- Anti-clockwise closing spindle
- By-pass assembly
- Alternative flange drillings

Options maybe subject to factory lead-time

**Accessories**

- |                      |                           |
|----------------------|---------------------------|
| Stem Cap / Handwheel | Extension spindle / T Key |
| Position Indicator   | Gearbox                   |
| Locking Device       | By-pass                   |
| ISO Mounting Flange  | Chainwheel                |

