



water solutions

Data sheet

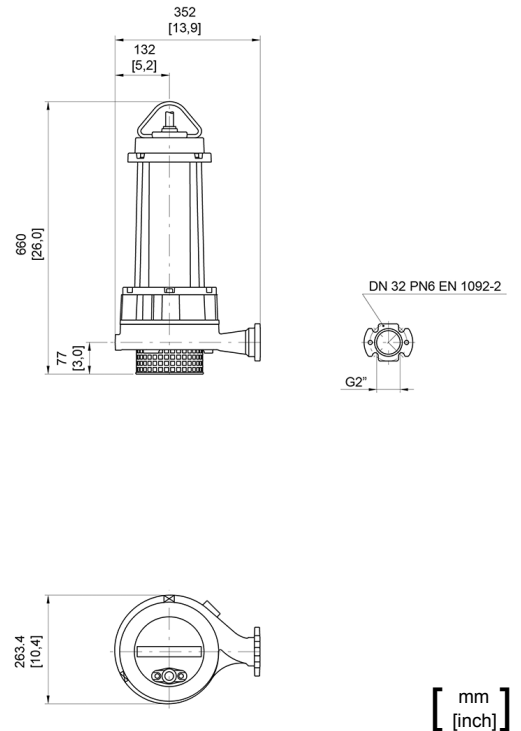
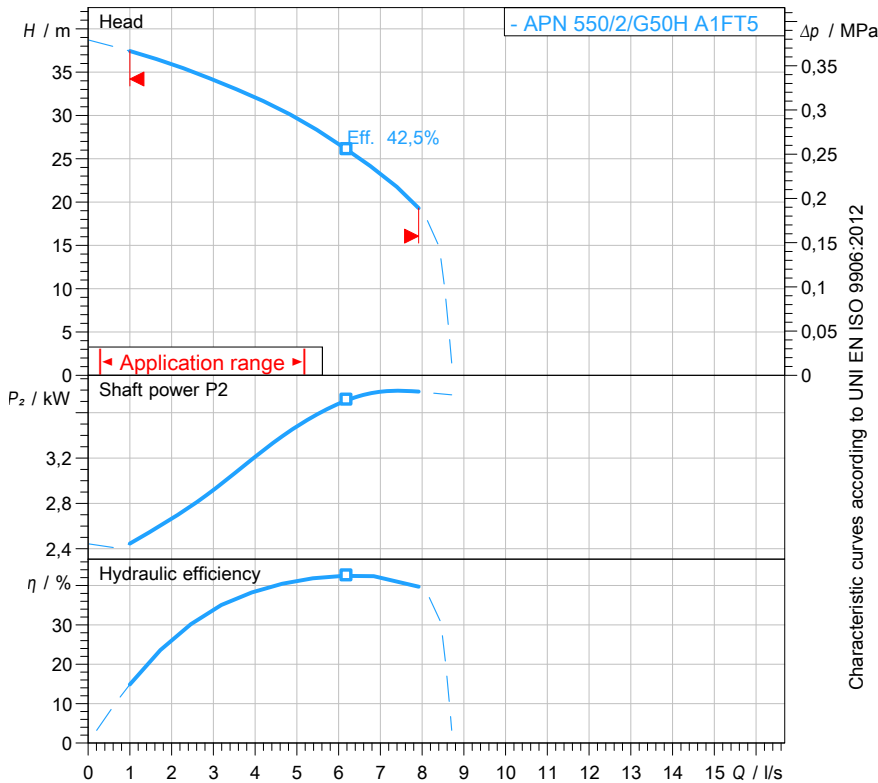
APN 550/2/G50H A1FT5

N

series

Technical specification

3~ 50 Hz



Pump

Series	N series
Pump name	APN 550/2/G50H A1FT5
Configuration	NGTAB51040N00NN
Standard	EN 809:2009
ATEX mark	-

Motor data

Rated voltage	400 V
Frequency	50 Hz
Motor phases	3~
Number of poles	2
Rated power P ₂	4,10 kW
Incoming power P ₁	5,00 kW
Rated current	8,7 A
rpm	2880 1/min
Efficiency	85,9 %
cos φ	0,83
Rated torque	13,6 Nm
Start	Direct starting
Degree of protection	IP 68
Insulation class	H

Hydraulic

Type	AP (High head impeller)
Free passage	10 mm
Impeller type	Multi channel impeller
Max. hydraulic efficiency	42,5 %
Suction	
Discharge	DN 32 - G 2" EN 1092-2
Curve tolerance	UNI EN ISO 9906:2012

Operating limits (standard pumps)

Max. ambient temperature	40 °C
Max. density treated liquid	1100 kg/m ³
Max. immersion depth	30 m
pH treated liquid	6 ÷ 14
Max. start per hour (equally distributed)	30
Wet/dry use	WET
Max. acoustic pressure level	70 dB
Operating mode	S1 - Continuous use

Construction materials

Case	Cast iron EN-GJL 250
Shaft	Stainless steel - AISI 431
Hydraulic	Cast iron EN-GJL 250
Impeller	Cast iron EN-GJL 250
Painting/Coating	Bi-epoxy 150 μm
Screws	Stainless steel - Class A2-70
Gaskets	NBR
Cooling jacket (if present)	Carbon steel
Strainer	Stainless steel - AISI 304

Construction features

Cooling system	No cooling jacket
Main cable	4G1.5+3x1
Control cable	-
Cable length	10 mt
Mechanical seals	2 in silicon carbide (2SiC)
Additional drilling	-
Weight*	71 kg
Electrical variant	Thermal protection

* cable's weight not included

Rev. 0 - 16-12-2014

All data shown are not binding. Zenit reserves the right to change data and dimensions without notice.

Created on 2017-05-08

zenit.com

Page 1 / 3



water solutions

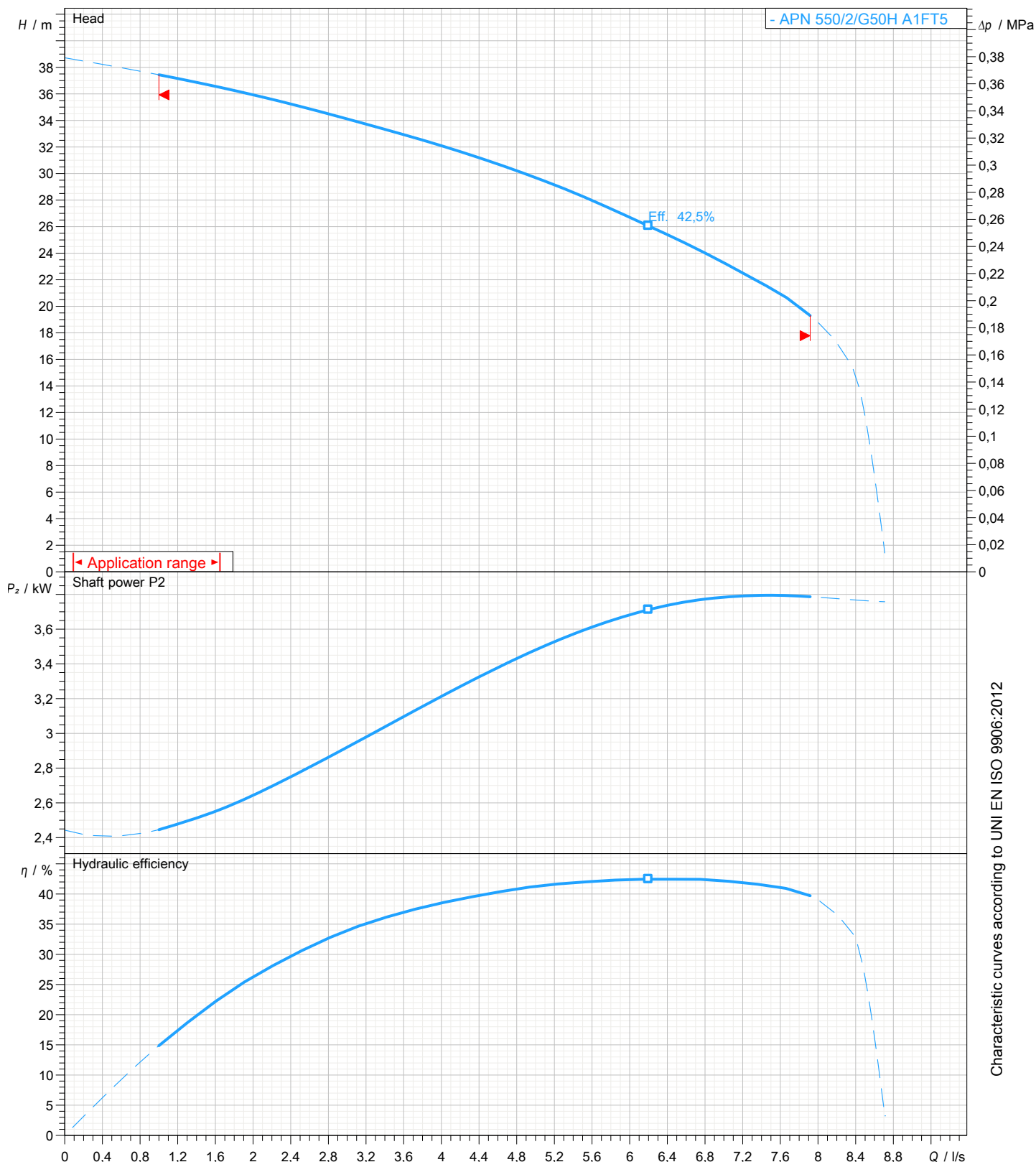
Data sheet APN 550/2/G50H A1FT5

N series

Pump performance curves

3~ 50 Hz

Hydraulic type AP (High head impeller)		Impeller type Multi channel impeller	Free passage 10 mm	Discharge DN 32 - G 2"	Suction
DUTY POINT					
Flow	Head	Shaft power P2	Hydraulic efficiency	Density 998,3 kg/m ³	Viscosity 1,005 mm ² /s



Characteristic curves according to UNI EN ISO 9906:2012



water solutions

Data sheet

APN 550/2/G50H A1FT5

N

series

Dimensional drawing

3~ 50 Hz

Installation type Installation with bottom coupling device - Vertical outlet + GTP

WET/DRY use: WET

Discharge: DN 32 - G 2" EN 1092-2

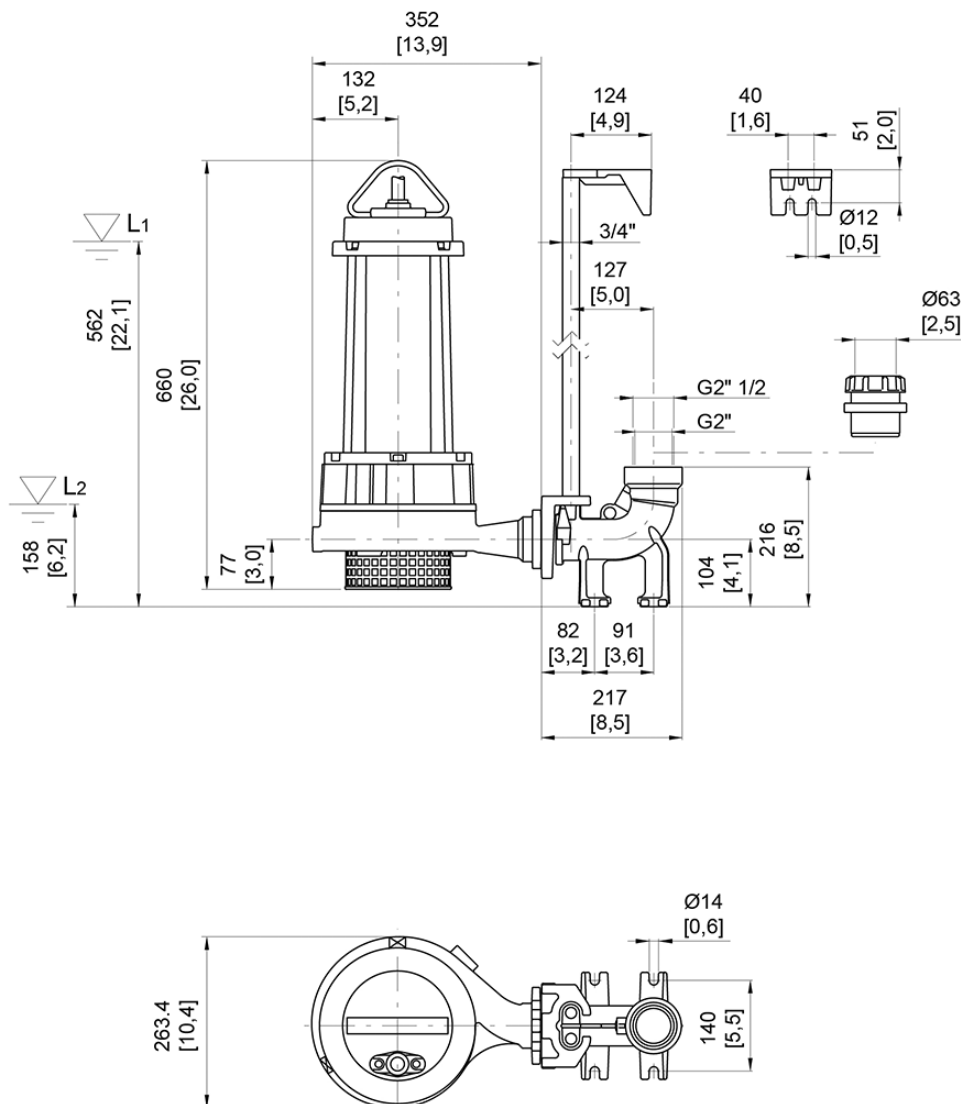
Suction:

Pressure rating (suction/discharge): PN 6

Accessory * : DAC 32-50/G50V-G65V 3/4" EN+GTP (P)

Accessory code * : 9028.002

* Accessory must be ordered separately



L1: Minimum operating level for continuous use

L2: Minimum operating level for discontinuous use (only "WET" version)

[mm]
[inch]

All data shown are not binding. Zenit reserves the right to change data and dimensions without notice.

zenit.com

Created on 2017-05-08

Page 3 / 3