

KNIFE GATE VALVE HANDWHEEL

Bi-directional, full-bore knife gate valve, having a non-rising spindle and serviceable inline.

FEATURES

- Bi-directional sealing, seals irrespectively of flow direction
- Full-bore to allow high flow rates with low pressure drop
- Wafer semi-lugged one-piece ductile iron body
- Stainless steel chamfered edged polished gate to effectively cut through media
- Stainless steel non-rising stem with rolled thread form to reduce friction
- No internal cavities avoids sediment accumulation
- Adjustable gland follower allowing in-service maintenance
- U-shaped NBR seal in one-piece
- Corrosion resistant construction
- O-ring on raised-face for flange joint integrity
- Handwheel operated (cap and ISO5210 input interface on request)

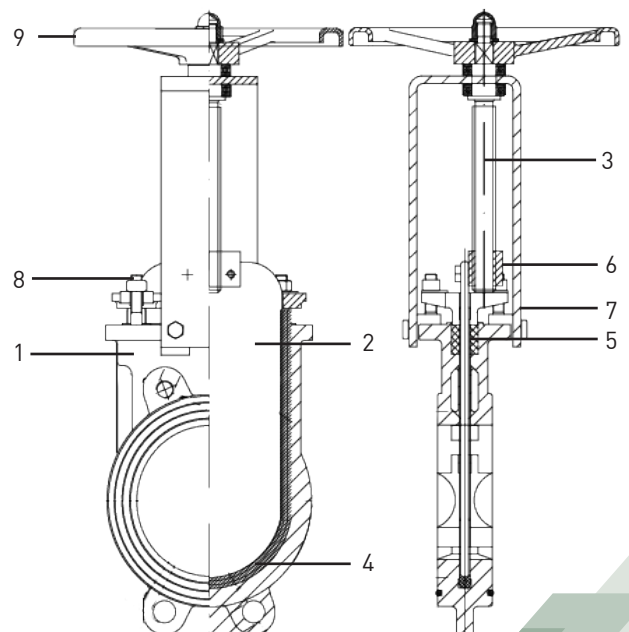


TECHINCAL SPECIFICATION

RANGE	DN80-DN300 (larger on request)
FLANGE ALIGNMENT	EN1092-2 Table 9 (PN16)
FACE-TO-FACE	EN558-1, Series 20
MAXIMUM WORKING PRESSURE	DN80-DN250 = 10 Bar and DN300 = 6 Bar
MAXIMUM TEMPERATURE	0°C - 80°C
TESTING	EN12266

PARTS LIST

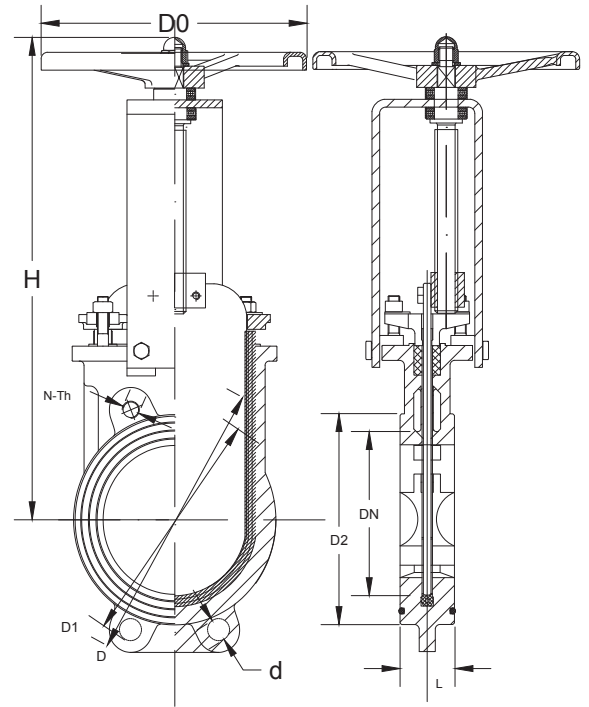
NUMBER	PART	MATERIAL
1	Body	Ductile iron GJS-400-15
2	Gate	Stainless steel 1.4301/ANSI 304
3	Stem	Stainless steel 1.4021/ANSI 420
4	U-shaped seat	NBR / Steel
5	Packing	PTFE
6	Stem nut	Bronze
7	Yoke plate	Epoxy coated carbon steel
8	Fasteners	Stainless steel 1.4372/ANSI 201
9	Handwheel or Cap	Ductile iron GJS-400-15



DIMENSIONAL DRAWINGS

DN	DIMENSIONS								Weight (kgs)
	SIZE								
(mm)	L	D	D1	D2	D0	N-Th	d	H	
80	51	200	160	132	220	8-M16	Ø18	350	
100	51	220	180	156	240	8-M16	Ø18	385	
125	57	250	210	184	240	8-M16	Ø18	430	
150	57	285	240	211	280	8-M20	Ø23	485	
200	60	340	295	266	300	8-M20	Ø23	565	
250	70	405	355	319	320	8-M24	Ø27	680	
300	76	460	410	370	320	8-M24	Ø27	755	

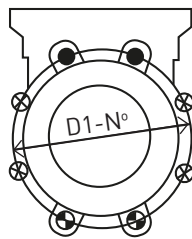
Dimensions in mm, unless otherwise stated. DN = Nominal Valve Size.
PFA = Allowable Operating Pressure



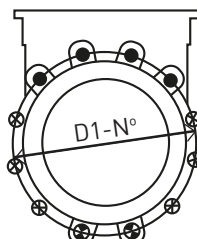
FLANGE DRILLINGS

DN	K	N°	M	T	Blind Through Tapped
80	160	8	M-16	12	2 - 4 - 2
100	180	8	M-16	12	2 - 4 - 2
125	210	8	M-16	14	2 - 4 - 2
150	240	8	M-20	14	2 - 4 - 2
200	295	8	M-20	14	2 - 4 - 2
250	350	12	M-20	18	4 - 6 - 2
300	400	12	M-20	21	4 - 6 - 2

- Blind
- Through
- Tapped



DN80-200



DN250-300

