

Brass Ball Valve

T-T Flow[®]
Valves



Two piece ball valve with PTFE seat used for pipeline isolation.

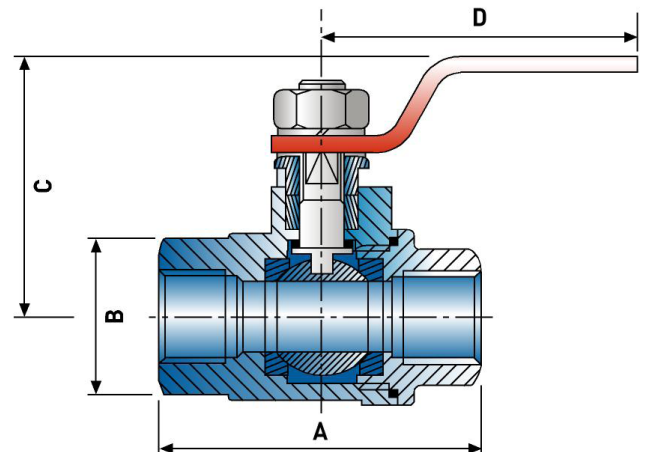
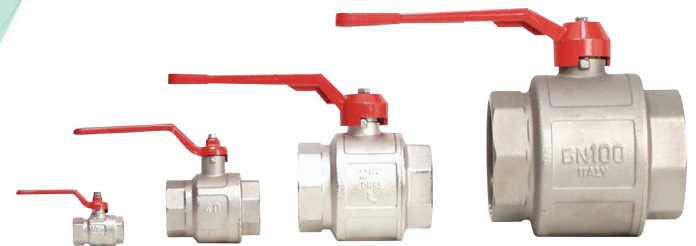
Suitable for many industrial and domestic applications up to 150°C.

Features

- Threaded female BSP parallel
- Anti-blow out stem design
- Chrome plated brass ball
- 'Bubble-tight' seal
- 100% Full bore
- Durable PTFE seat
- Lever operated

Materials

- Body: Nickel plated brass CW617N
- Ball: Chrome plated brass CW617N
- Stem: Chrome plated brass CW614N
- Seal: PTFE
- Washers: NBR



Dimensions (mm)					
DN	A	B	C	D	PFA(Bar)
½"	50.5	30.5	41	80	50
¾"	57.5	37	55	113	40
1"	70	45.5	59	113	40
1¼"	80.5	57	74.5	137.5	30
1½"	94	70	80.5	137.5	30
2"	112.50	84	96.5	157	25
2½"	134.50	109	116	197	18
3"	157	131	133	250	16
4"	190	164	148	250	14

Dimensions in mm, unless otherwise stated. DN = Nominal Valve Size.
PFA = Allowable Operating Pressure

T-T Flow, Woore, Cheshire, CW3 9RU
Tel: 01630 647111 Fax: 01630 642100
www.ttflow.com e-mail: info@ttflow.com

We reserve the right to amend specifications without prior notice.
© T-T PUMPS Ltd. 2016 DATA355: 14/01/2016



T-T PUMPS[®]

T-T Pumping Stations[®]

T-T Controls[®]

T-T Service[®]

T-T Agricultural & Environmental[®]

T-T Flow Valves[®]