



water solutions

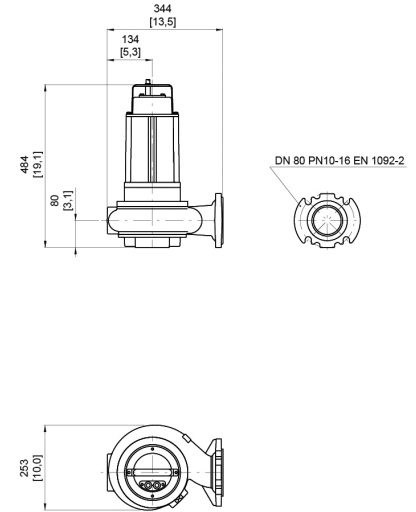
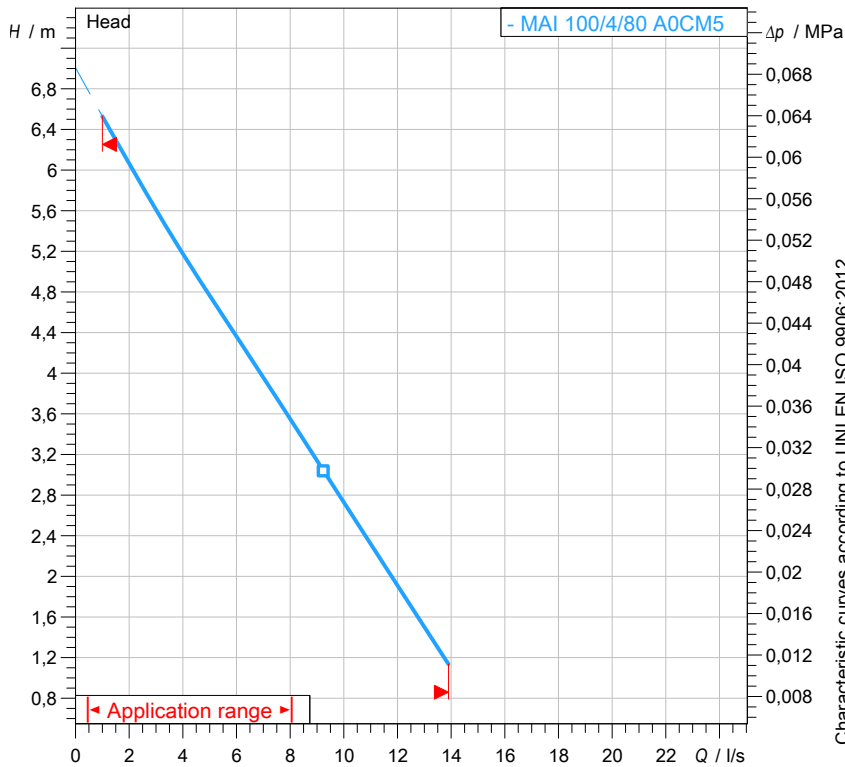
Data sheet

MAI 100/4/80 A0CM5

I
series

Technical specification

1~ 50 Hz


 [mm]
 [inch]

Pump

| | |
|---------------|--------------------|
| Series | I series |
| Pump name | MAI 100/4/80 A0CM5 |
| Configuration | NGTCB51H23S00NN |
| Standard | EN 809:2009 |

Operating limits (standard pumps)

| | |
|---|------------------------|
| Max. ambient temperature | 40 °C |
| Max. density treated liquid | 1100 kg/m ³ |
| Max. immersion depth | 20 m |
| pH treated liquid | 6 ÷ 14 |
| Max. start per hour (equally distributed) | 30 |
| Wet/dry use | WET |
| Max. acoustic pressure level | 70 dB |
| Operating mode | S1 - Continuous use |

Motor data

| | |
|----------------------|------------|
| Rated voltage | 230 V |
| Frequency | 50 Hz |
| Motor phases | 1~ |
| Number of poles | 4 |
| Rated power P2 | 0,74 kW |
| Incoming power P1 | 1,10 kW |
| Rated current | 5,5 A |
| rpm | 1370 1/min |
| cos φ | 0,91 |
| Rated torque | 4,9 Nm |
| Start | |
| Degree of protection | IP 68 |
| Insulation class | F |

Construction materials

| | |
|------------------|-------------------------------|
| Case | Cast iron EN-GJL 250 |
| Shaft | Stainless steel - AISI 420 |
| Hydraulic | Cast iron - EN-GJL 250 |
| Impeller | Cast iron - EN-GJL 250 |
| Painting/Coating | Bi-epoxy 150 μm |
| Screws | Stainless steel - Class A2-70 |
| Gaskets | NBR |

Hydraulic

| | |
|-----------------|-----------------------------------|
| Type | MA (Single-channel open impeller) |
| Free passage | 50 mm |
| Impeller type | Channel impeller |
| Discharge | DN 80 EN 1092-2 |
| Curve tolerance | UNI EN ISO 9906:2012 |

Construction features

| | |
|---------------------|----------------------------------|
| Cooling system | No cooling jacket |
| Main cable | 3G1 |
| Control cable | - |
| Cable length | 10 mt - Shuko plug |
| Mechanical seals | 2 in silicon carbide (2SiC) |
| Additional drilling | - |
| Weight* | 42 kg |
| Electrical variant | Thermal protection and capacitor |

* cable's weight not included

Rev. 0 - 16-12-2014

All data shown are not binding. Zenit reserves the right to change data and dimensions without notice.

Created on 2017-07-21

zenit.com

Page 1 / 3



water solutions

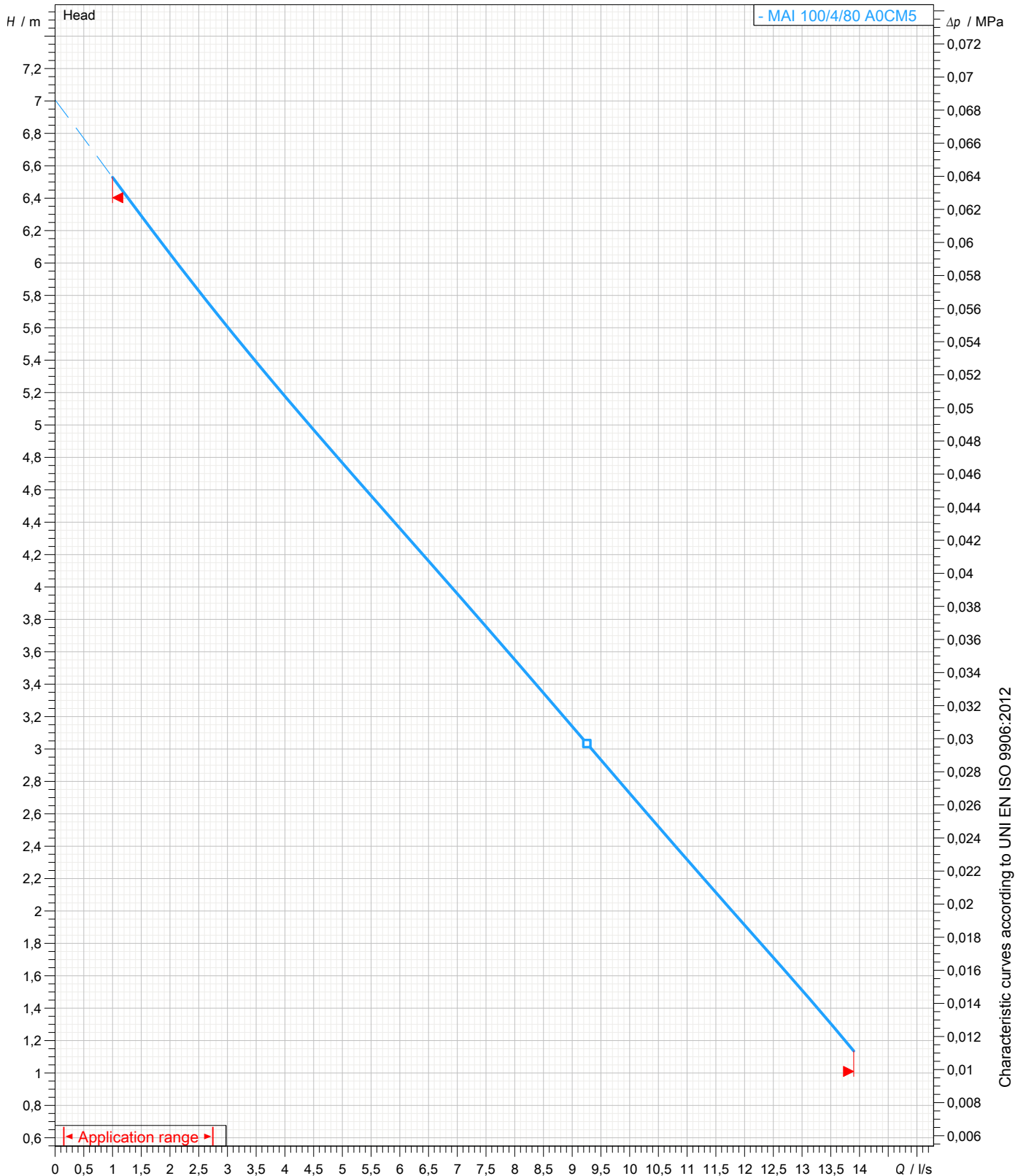
Data sheet MAI 100/4/80 A0CM5

I
series

Pump performance curves

1~ 50 Hz

| | | | | | |
|---|-----------------------------------|-----------------------|----------------------|------------------------------------|---------------------------------------|
| Hydraulic type MA (Single-channel open impeller) | Impeller type Channel impeller | Free passage 50 mm | Discharge DN 80 | Suction DN 80 | |
| DUTY POINT | | | | | |
| Flow | Head | Shaft power P2 | Hydraulic efficiency | Density 998,3 kg/m ³ | Viscosity 1,005 mm ² /s |



Characteristic curves according to UNI EN ISO 9906:2012



water solutions

Data sheet MAI 100/4/80 A0CM5

I
series

Dimensional drawing

1~ 50 Hz

Installation type Installation with bottom coupling device - Vertical outlet

WET/DRY use: WET

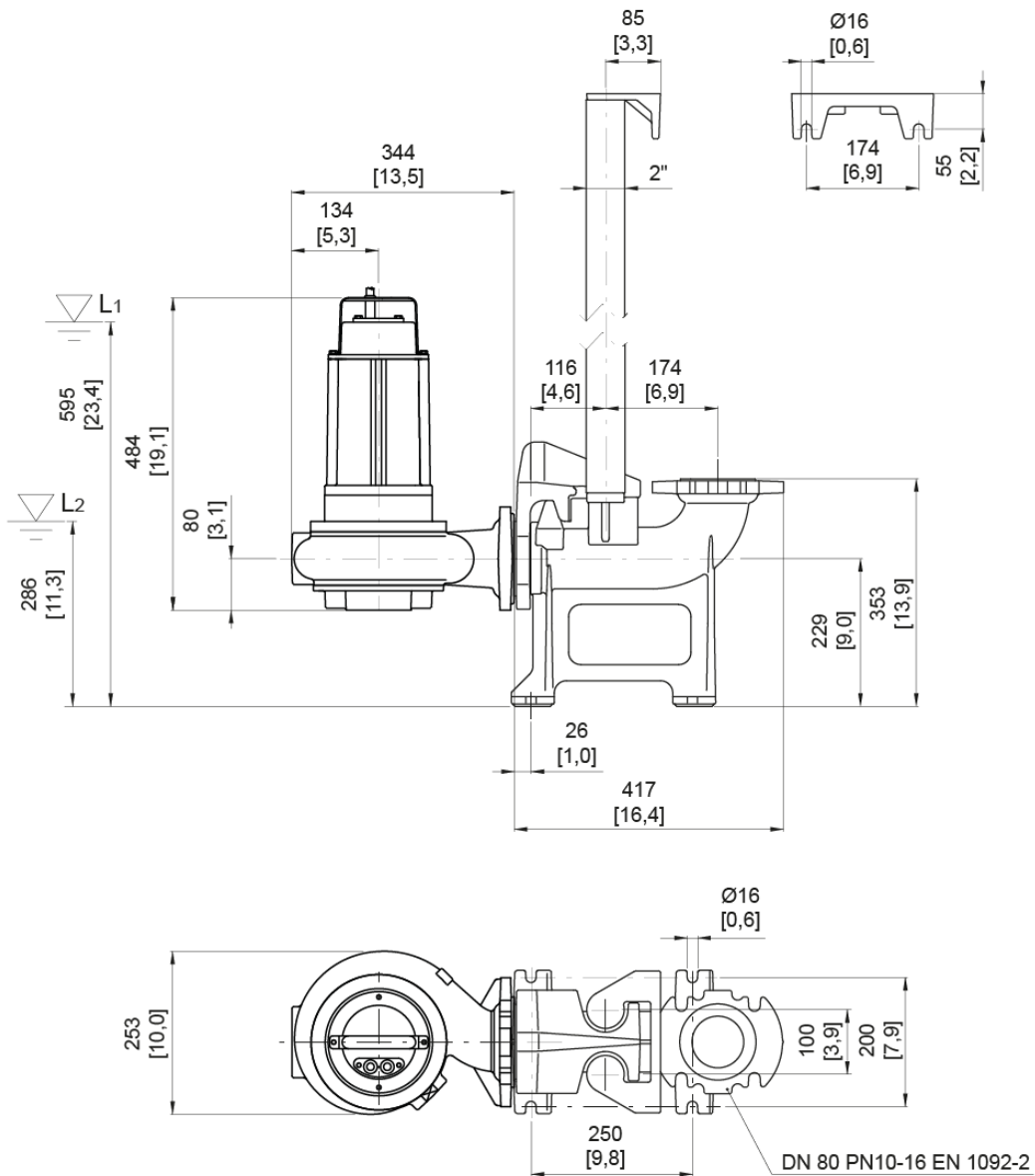
Accessory * : DAC 80/80V+KAF 116-2" EN (P)

Discharge: DN 80 EN 1092-2

Accessory code * : 9001.032

Pressure rating (suction/discharge): PN 6/PN 10

* Accessory must be ordered separately



L1: Minimum operating level for continuous use
L2: Minimum operating level for discontinuous use

[mm]
[inch]