



water solutions

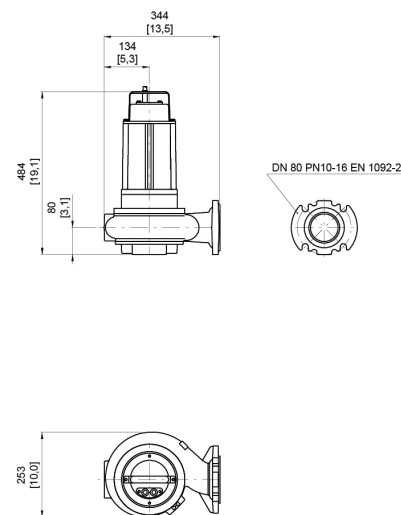
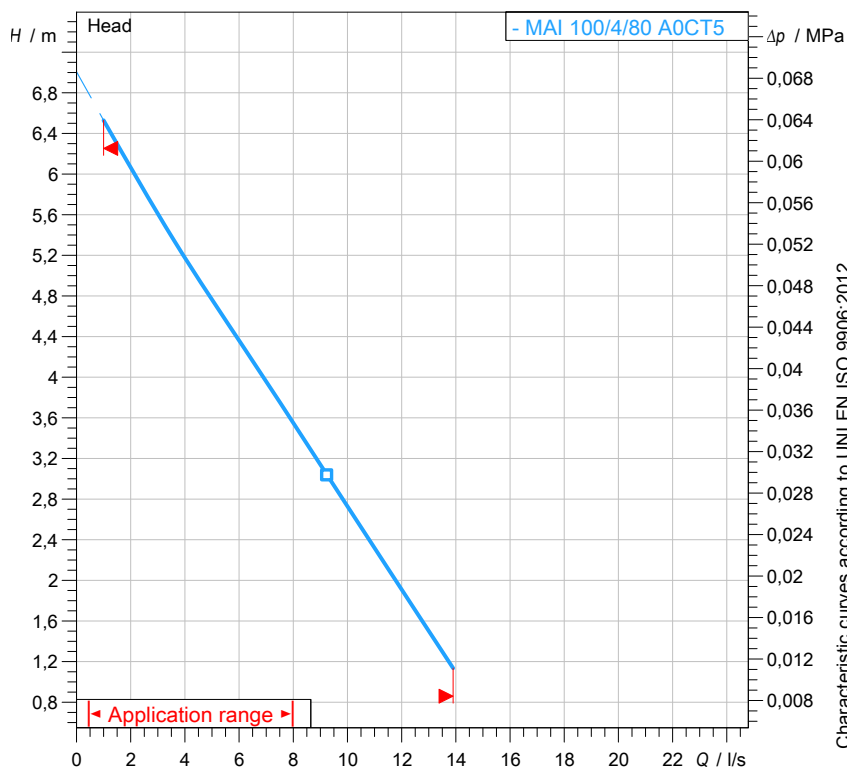
Data sheet

MAI 100/4/80 A0CT5

I
series

Technical specification

3~ 50 Hz

[mm]
[inch]

Pump

Series	I series
Pump name	MAI 100/4/80 A0CT5
Configuration	NGTRB51040S00NN
Standard	EN 809:2009

Motor data

Rated voltage	400 V
Frequency	50 Hz
Motor phases	3~
Number of poles	4
Rated power P2	0,74 kW
Incoming power P1	1,20 kW
Rated current	2,3 A
rpm	1322 1/min
cos ϕ	0,76
Rated torque	5,1 Nm
Start	Direct starting
Degree of protection	IP 68
Insulation class	F

Hydraulic

Type	MA (Single-channel open impeller)
Free passage	50 mm
Impeller type	Channel impeller
Discharge	DN 80 EN 1092-2
Curve tolerance	UNI EN ISO 9906:2012

Operating limits (standard pumps)

Max. ambient temperature	40 °C
Max. density treated liquid	1100 kg/m ³
Max. immersion depth	20 m
pH treated liquid	6 ÷ 14
Max. start per hour (equally distributed)	30
Wet/dry use	WET
Max. acoustic pressure level	70 dB
Operating mode	S1 - Continuous use

Construction materials

Case	Cast iron EN-GJL 250
Shaft	Stainless steel - AISI 420
Hydraulic	Cast iron - EN-GJL 250
Impeller	Cast iron - EN-GJL 250
Painting/Coating	Bi-epoxy 150 μ m
Screws	Stainless steel - Class A2-70
Gaskets	NBR

Construction features

Cooling system	No cooling jacket
Main cable	4G1
Control cable	-
Cable length	10 mt
Mechanical seals	2 in silicon carbide (2SiC)
Additional drilling	-
Weight*	42 kg
Electrical variant	Thermal protection and relais

* cable's weight not included



water solutions

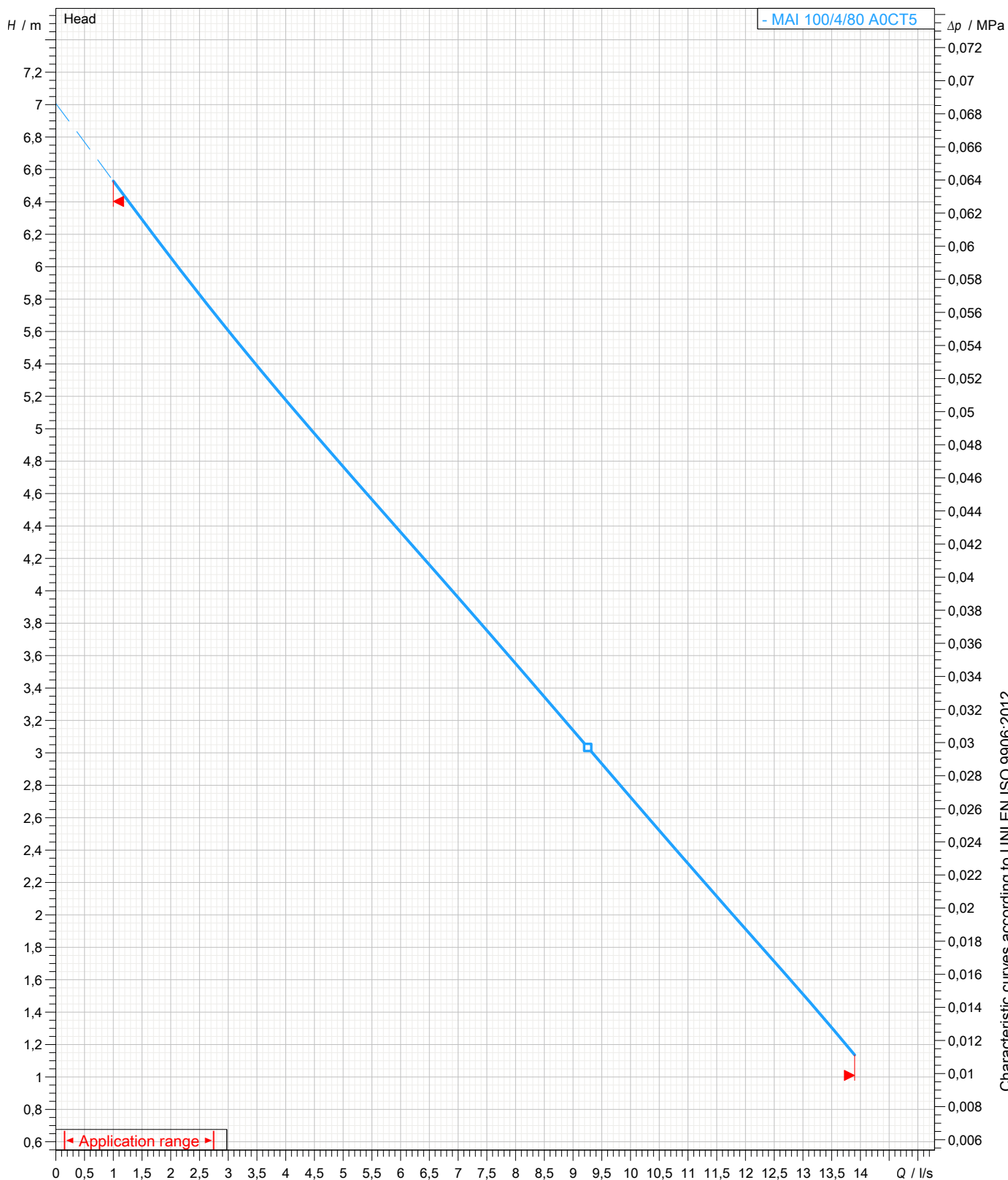
Data sheet MAI 100/4/80 A0CT5

I
series

Pump performance curves

3~ 50 Hz

Hydraulic type MA (Single-channel open impeller)	Impeller type Channel impeller	Free passage 50 mm	Discharge DN 80	Suction DN 80	
DUTY POINT					
Flow	Head	Shaft power P2	Hydraulic efficiency	Density 998,3 kg/m ³	Viscosity 1,005 mm ² /s



Characteristic curves according to UNI EN ISO 9906:2012



water solutions

Data sheet MAI 100/4/80 A0CT5

series

Dimensional drawing

3~ 50 Hz

Installation type Installation with bottom coupling device - Vertical outlet

WET/DRY use: WET

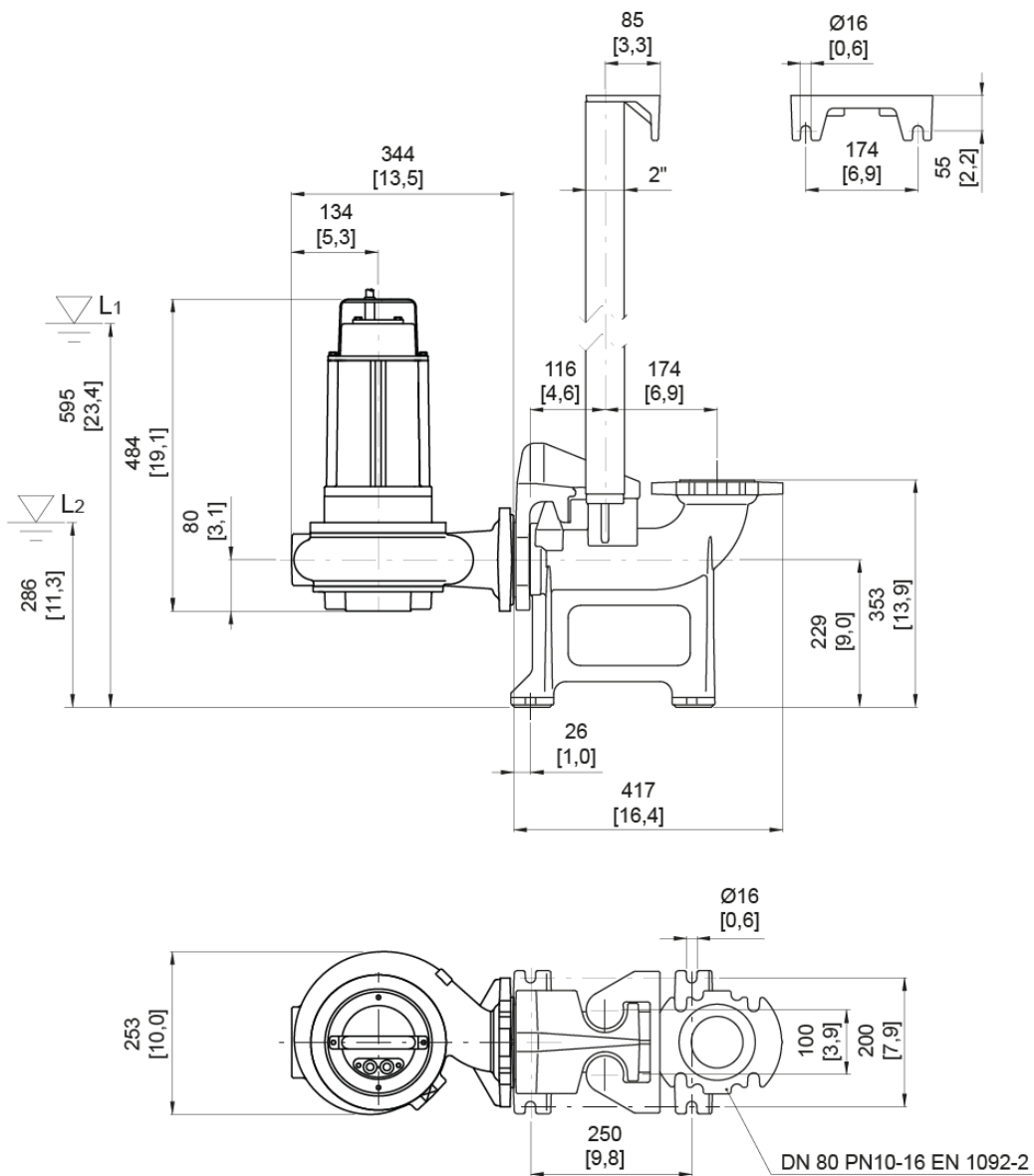
Accessory * : DAC 80/80V+KAF 116-2" EN (P)

Discharge: DN 80 EN 1092-2

Accessory code * : 9001.032

Pressure rating (suction/discharge): PN 6/PN 10

* Accessory must be ordered separately



L1: Minimum operating level for continuous use

L2: Minimum operating level for discontinuous use

[mm]
[inch]

All data shown are not binding. Zenit reserves the right to change data and dimensions without notice.

zenit.com

Created on 2017-07-21

Page 3 / 3