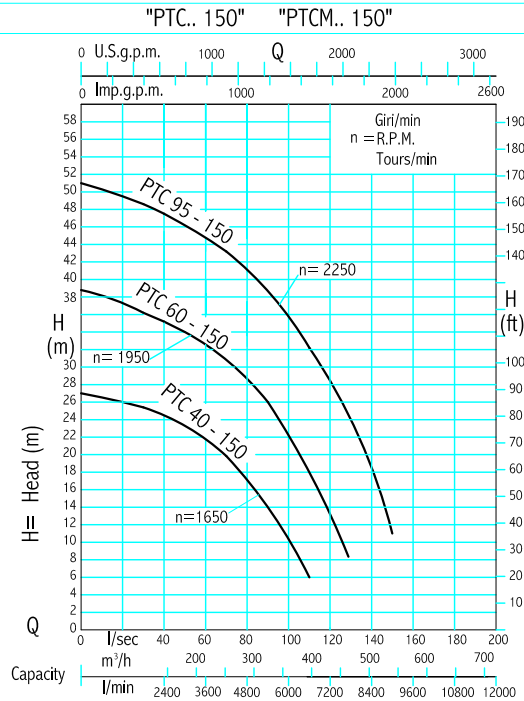
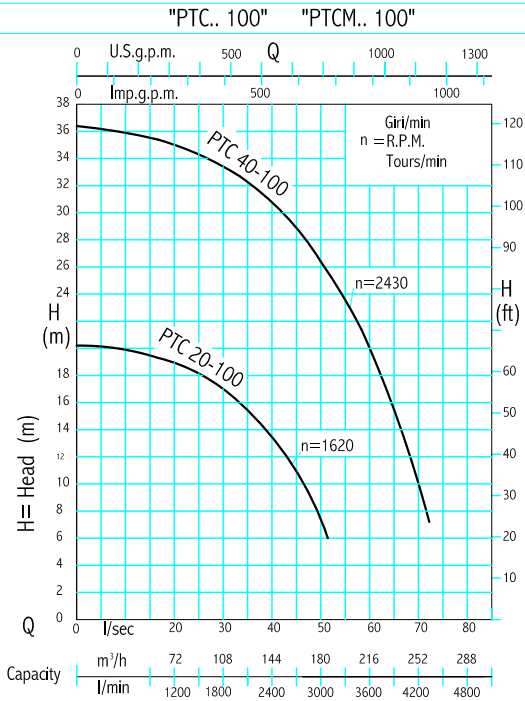


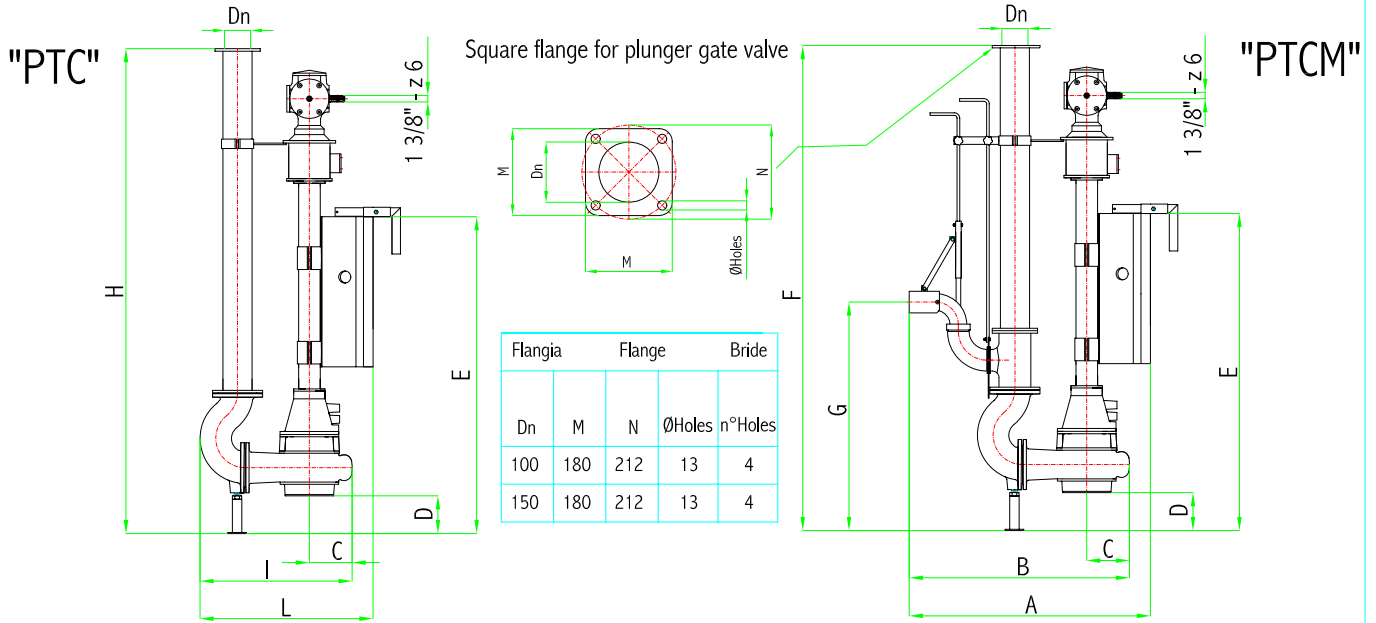
- PERFORMANCES RANGES -



Curves for liquid:  
Density 1  
Viscosity 1 mm<sup>2</sup>/s .  
Temperature 20° C.

OPERATING DATA

PUMP TYPE	p.t.o. R.P.M. x Gear ratio	Tractor rated power	Delivery	CAPACITY m <sup>3</sup> /h																
				0	72	108	144	180	252	324	396	468	540							
				CAPACITY l/sec																
				0	20	30	40	50	70	90	110	130	150							
				HEAD m																
PTC 20 - 100	PTCM 20 - 100	540 x 3	20	100	20.2	19	17	13.6	7.5											
PTC 40 - 100	PTCM 40 - 100	540 x 4.5	40		36.4	35	33.5	30.8	26.4	10										
PTC 40 - 150	PTCM 40 - 150	532 x 3.1	40	150	27	26	25.4	24.5	23.3	20	14	6								
PTC 60 - 150	PTCM 60 - 150	928 x 2.1	60		38.8	37.3	36.2	35.2	34	31.3	26	18	9							
PTC 95 - 150	PTCM 95 - 150	900 x 2.5	95		51	49.5	48.6	47.5	46.2	43.2	39	32.2	24	11						

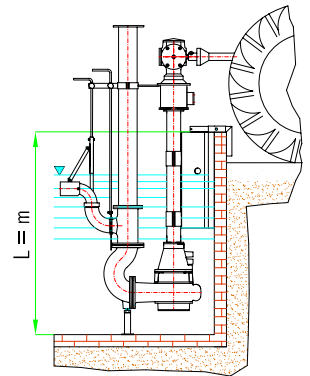


OVERALL DIMENSIONS mm.

PUMP TYPE	Dn	m	A	B	C	D	E	F	G	H	I	L		
													Pump rated length (m)	
PTC .. - 100 PTCM.. - 100	100	2					1995	2845		2629				
		2.5					2495	3345		3129				
		3					2995	3845		3629				
		3.5	1073	928	172	252	3495	4345	1118	4129	594	740		
		4					3995	4845		4629				
		4.5					4495	5345		5129				
		5					4995	5845		5629				
		PTC .. - 150 PTCM.. - 150	150	2					2065	3083		3083		
				2.5					2565	3471		3180		
				3					3065	3833		3833		
3.5	1275			1165	226	238	3565	4471	1275	4180	804	915		
4							4065	4971		4680				
4.5							4565	5471		5180				

Depth of the sump	Nominal length pump
L=m	m
2 - 2.5	2
2.5 - 3	2.5
3 - 3.5	3
3.5 - 4	3.5
4 - 4.5	4
4.5 - 5	4.5
5 - 5.5	5

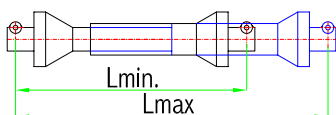
Installation



ACCESSORIES

PUMP TYPE	Tractor rated power	kW	Wall support	Grip type support
PTC 20 - 100	PTCM 20 - 100	20	SAP 100	SAV 100
PTC 40 - 100	PTCM40 - 100	40		
PTC 40 - 150	PTCM 40 - 150	40	SAP 150	SAV 150
PTC 60 - 150	PTCM 60 - 150	60		
PTC 95 - 150	PTCM 95 - 150	95		

DRIVE SHAFTS



Type	Lmin.	Lmax.	kW
C 20	710	1070	20
C 40	710	1050	40
C 60	1010	1550	60
C 95	1010	1540	95

kW = Tractor rated power