



Technical data CMP 76

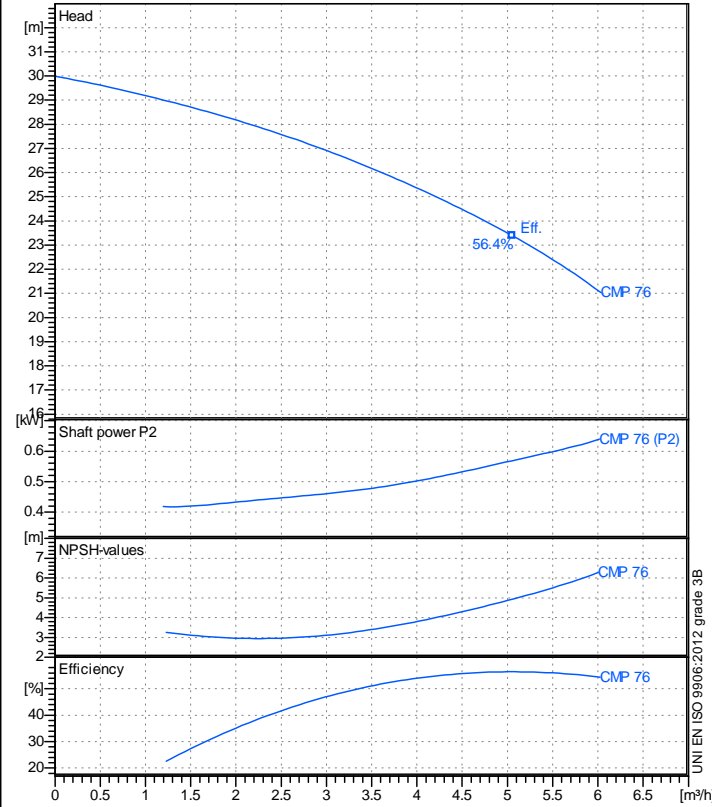
Revision no

Page:
1

Receiver

From

Company name
Respons. Department
Person in charge
Phone number
Fax no
E-mail address



Operating data specification

Nominal flow	m³/h	0
Nominal head	m	0
Static head	m	0
NPSH - v alue of plant	m	0
Inlet pressure	bar	0.09793
Fluid	Water, pure	
Operating temperature t A	°C	20
Density at t A	kg/dm³	0.9983
Kin. viscosity at t A	mm²/s	1.005

Pump

Pump name	CMP 76			
Size				
Design				
Speed 1/min	2850	No of stages	1	
Impeller type	Single vane impeller			
Flow	Nominal	m³/h		
	Max-	m³/h	6.03	
	Min-	m³/h	0	
Head	Nominal	m		
	Max-	m	30	
	Min-	m	21	
Head H(Q=0)			m	30
NPSH 3%			m	
Max. working pressure			bar	2.94
Shaft power			kW	
Efficiency			%	
Max absorbed power			kW	0.63914

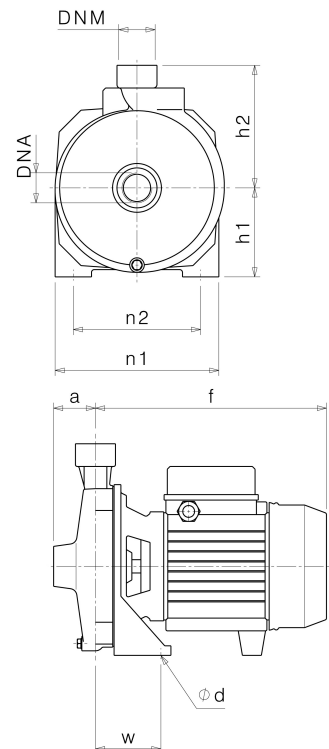
Materials Pump

Shaft	Stainless steel AISI 420 (1.4028)		
Impeller	Thermoplastic resin		
Pump body	Cast iron EN-GJL-200		
Support	Aluminium		
OR	NBR Rubber		
Mechanical seal	BXPG (Gra/Cer/NBR)		

Motor	Frame size	71		
Manufacturer / Type				
Rated power	kW	0.55	Efficiency 4/4	0 %
Electric current	A	Speed		1/min 2950
Electric voltage	V	230 V	1~	Hz 50
Starting mode	Unknown			
Degree of protection	IP 44	Insulation class	F	

Dimensions in mm

- a 46
- DNA G 1"
- DNM G 1"
- f 254
- h1 98
- h2 135
- n1 180
- n2 140
- ød 9
- w 72



Remarks:

Project	Project ID	Created by	Created on	Last update
---------	------------	------------	------------	-------------



Performance curves CMP 76

Revision no

Page:
2

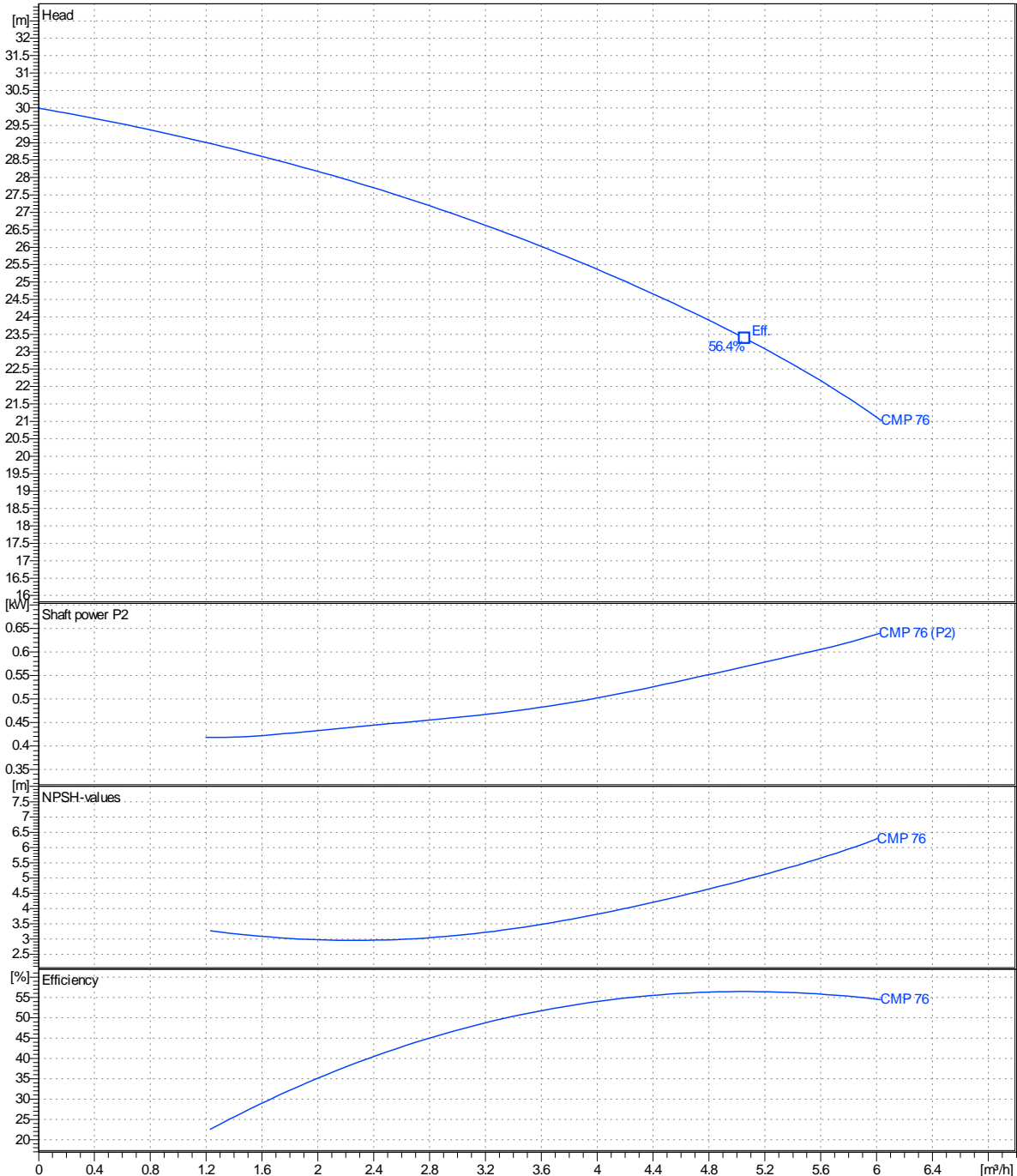
Receiver _____ From _____

Company name
Respons. Department
Person in charge
Phone number
Fax no
E-mail address

Operating area	Flow	Head	Impeller type	Single vane impeller						
Operating data specification	0 m ³ /h	0 m	Impeller construction							
Pump data	m ³ /h	m	Sense of rotation	Clockwise from the drive end						
			Outlet width	G1"						
	Flow		Head		Shaft power P2		Speed	1/min	2850	
	Min.	Max.	η Max.	H(Q=0)	η Max.	P2(Q=0)	Max.	η Max.	Frequency	Hz
	m ³ /h	m ³ /h	m ³ /h	m	m	kW	kW	kW		50 Hz
	0	6.03	5.06	30	23.4		0.639	0.569		

Performance data based to: Water, pure [100%]; 20°C; 0.998kg/dm³; 1mm²/s

UNI EN ISO 9906:2012 - Grade 3B



Project	Project ID	Created by	Created on	Last update
---------	------------	------------	------------	-------------