

MEATAL SEAT WEDGE GATE VALVE

Metal seat wedge gate valve with mounting flange used for pipeline isolation. Suitable for water, wastewater and sewage duties.

FEATURES

- Unique lightweight ductile iron design
- WRAS listed non-metallic components
- Durable fusion bonded epoxy coated
- Clockwise closing spindle as standard, clockwise opening on request
- Corrosion resistant construction
- 100% full bore
- Drilling bosses and drain plug as standard
- Integral feet to facilitate safe storage
- Robust low maintenance design



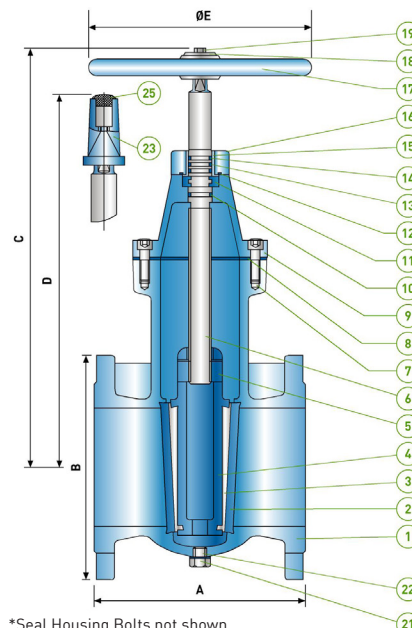
TECHNICAL SPECIFICATION

STANDARD	BS 5163 Pt. 1 & 2:2004
RANGE	DN80 - DN300
FLANGES & DRILLINGS ALTERNATIVES	BS EN 1092-2:1987 Table 9 (PN16) BS EN 1092-2:1987 Table 8 (PN10) BS10 Table D or E
MAXIMUM WORKING PRESSURE	16 Bar
HYDROSTATIC PRESSURE TESTS	Seat: 1.1 x PN (17.6 Bar) Body: 1.5 x PN (24.0 Bar)
TEMPERATURE RANGE	-10°C to 70°C (Insulate at 0°C and below)
COATING	Blue fusion bonded epoxy (WRAS listed)
FACE-TO-FACE DIMENSIONS	BS EN 558, Table 2, Basic Series 3

MATERIAL SPECIFICATION

ITEM	ITEM NAME	MATERIAL	SPECIFICATION
1	Body	Ductile Iron	BS EN 1563 Gr 500/7
2	Body Seat Ring	Copper Alloy	BS EN 1982
3	Wedge Seat Ring	Copper Alloy	BS EN 1982
4	Wedge	Ductile Iron	BS EN 1563 Gr 500/7
5	Stem Nut	Copper Alloy	BS EN 1982
6	Stem	Stainless Steel	BS EN 10088 1.4021
7	Bolt	BZP Steel	BS 3692 Gr 8.8
8	Body Gasket	EPDM	WRAS Listed
9	Bonnet	Ductile Iron	BS EN 1563 Gr 500/7
10	'O' Ring	EPDM	WRAS Listed
11	Thrust Collar	Copper Alloy	BS EN 1982
12	'O' Ring	EPDM	WRAS Listed
13	'O' Ring	EPDM	WRAS Listed
14	Dust Seal	EPDM	WRAS Listed
15	Bush	Copper Alloy	BS EN 1982
16	ISO Seal Housing	Ductile Iron	BS EN 1563 Gr 500/7
17	Handwheel	Ductile Iron	BS EN 1563 Gr 500/7
18	Washer	Stainless steel	BS EN 10088 1.4301
19	Bolt	Stainless Steel	BS EN 10088 1.4301
20	Sealing Housing Bolt	BZP Steel	BS 3692 Gr 8.8
21	Drain Plug	Stainless Steel	BS EN 10088 1.4301

ITEM	ITEM NAME	MATERIAL	SPECIFICATION
22	Gasket	PTFE	WRAS Listed
23	Stem Cap	Ductile Iron	BS EN 1563 Gr 500/7
24	Stem Cap Bolt	Stainless Steel	BS EN 10088 1.4301
25	Grommet	EPDM	-



DIMENSIONAL DRAWINGS

DN	A	B	C	D	E	HANDWHEEL (KG)	STEM CAP (KG)	WRAS APPROVED
50	178	165	282	312	180	23	21	X
65	190	185	313	343	180	24	22	
80	203	200	398	428	205	26	24	X
100	229	220	424	454	205	31	29	X
125	254	520	445	475	250	41	39	
150	267	285	525	556	280	58	55	X
200	292	340	438	668	320	87	82	
250	330	405	740	770	360	131	125	
300	356	460	840	870	450	186	177	

Dimensions in mm. Weights are approximate.

OPTIONS AND ACCESSORIES

- Handwheel or stem cap operation
- Actuation: Electric or Pneumatic
- Gearboxes: Bevel or Spur
- Position Indicator
- By-pass
- Extension spindles and T-keys
- Torque Tubes
- Alternative flange drillings

